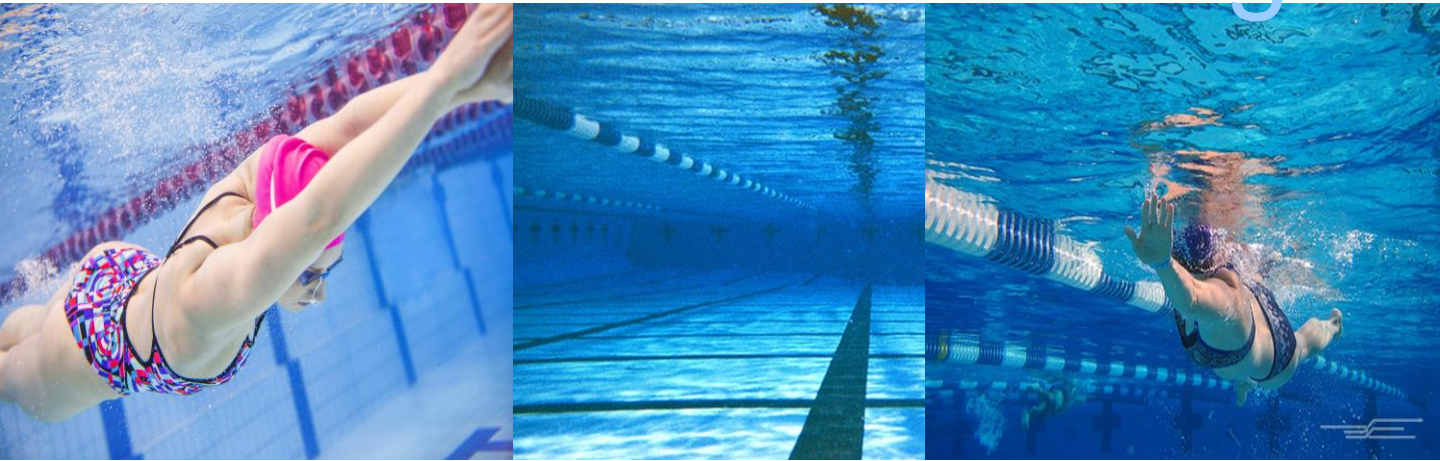


Product & Spares Catalogue



Ordering & Delivery

How to Order

- Phone – 01789 333313
- Email - sales@jakwater.co.uk
- Post – 9A Tything Road East, Kinwarton, Alcester, Warwickshire, B49 6ES.

There is no minimum order value

Payment

- Account holders – payment 30 days nett from invoice date
- Non account holders – will be required to pay on a pro-forma basis either by cheque, credit card or BACS.

Prices & VAT

- JAK reserve the right to make changes to prices as appropriate and as required. This does not affect your statutory rights.
- All prices are subject to VAT at the current rate.

Returns

- We hope that you would be completely satisfied with your order, but if for any reason our service fails, please notify us immediately.
- Returned items ordered incorrectly, may incur a restocking charge.
- Claims for non-delivery, part delivery or damage must be advised in writing within 7 days of despatch. Customers are requested to include a copy of the delivery note or invoice as proof of purchase.

Delivery

- Orders will normally be dispatched from stock on a next day carrier service, subject to availability.
- Certain products are to order and will be delivered at the earliest opportunity.

Hazchem

- commercial chemicals are delivered via the HAZChem network.

Swimming Pool Controllers & Accessories

Pages: 4-17

Evoqua, Siemens, Kuntze, Jesco, Prominent, Topline, Seko, Bayrol

Dosing Pumps & Spares

Pages: 18-23

LMI , Jesco, Prominent, Floccos, EzeFloc, Seko

Chemical Dosing Equipment

Pages: 24-37

Bulk Tanks, Day Tanks, Bunds
FlowTab, N.X Feeders, Granudos
UV Equipment & Spares
Injectors, CO2 Spares
Connections & Fittings, Labels, Chemical Transfer, Hoses

Circulation Pumps, Filters & Heating

Pages: 38

Circulation pumps, Filters, Valves, Filter media, Seals , Heat exchangers

Pipework & Paints

Pages: 39

ABS, PVC Pipework fittings, Reducing bush, Valves, Flow regulators

Commercial Chemicals

Pages: 40

Sodium Hypochlorite, Calcium Hypochlorite
Hydrochloric Acid, Sodium Bisulphate, Sulphuric Acid
PAC, Kibbled Alum, Sodium Bicarbonate, Sodium Carbonate, Calcium Chloride,
Sodium Thiosulphate, Salt

Domestic Chemicals

Pages: 41-43

Pool Power, Melpool, Blue Horizons

Water Testing & Analysis

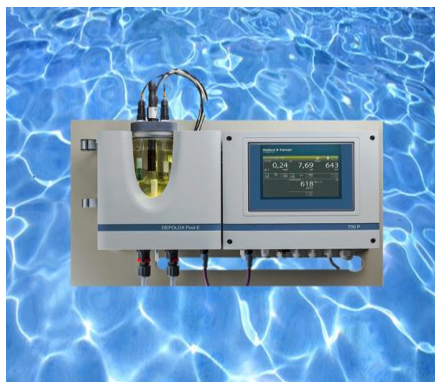
Pages: 44-45

Lovibond, Palintest

Circulation Testing & Pool Colouring

Pages: 46

Aqua Couleur



DEPOLOX® POOL E 700 P

POOL MANAGEMENT SYSTEM WALLACE & TIERNAN® ANALYZERS/CONTROLLERS

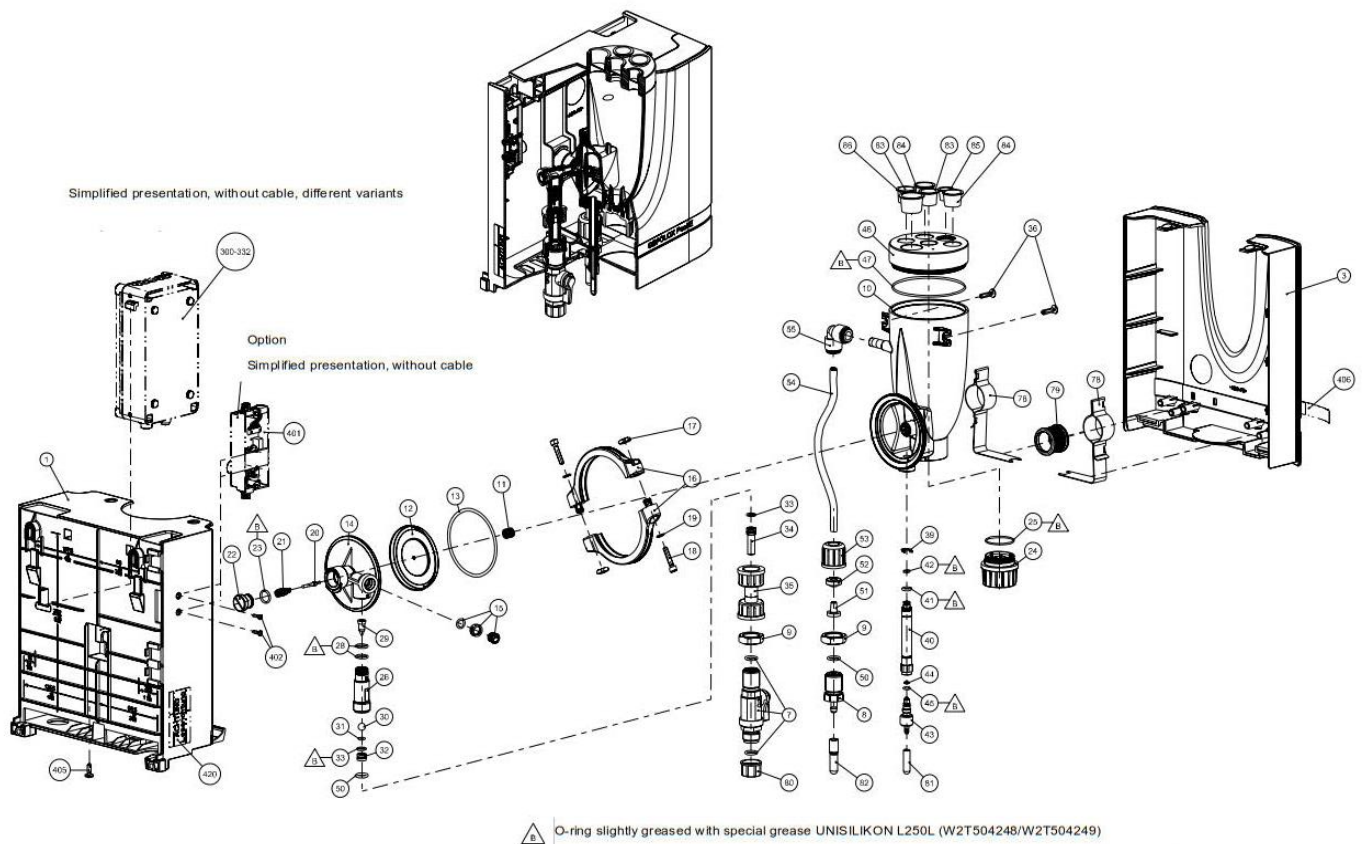
The DEPOLOX® Pool E 700 P system has been designed for measurement and control functions as well as process control in pool water treatment applications. Based on individual pool water treatment requirements, the instrument can be configured to measure and monitor all pertinent parameters. The DEPOLOX Pool E 700 P unit is a complete pool water management system that incorporates many of the existing differentiated pool water treatment features such as DIN contact, shock chlorination menu, economic mode operation as well as the CEDOX control algorithm. The controller supports all chemical feed applications commonly found in pool water treatment such as dosing pumps or relay control feeders, chlorine gas feed control, on-site electrochlorination system operation as well as a control signal to UV systems, flocculation and/or activated carbon slurry feed systems. The DEPOLOX Pool E 700 P unit can measure and control the critical disinfection parameters of free chlorine, pH and ORP. The instrument can also measure combined and total chlorine as well as conductivity and provides a control output for these measurements. Considering all of the functionalities incorporated into the one controller that is operated via an intuitive touch screen, the complete system is easily recognized as a user-friendly pool water management system.

DESIGN AND FUNCTION

The Pool Management System consists of the flow cell module DEPOLOX Pool E and the electronic module 700 P. Each component is configured based on the customer's requirements. The intelligent measurement module is housed in a non corrosive enclosure. The sensors are easily observed through the clear flow cell that can be illuminated as an option. The flow cell is available in a pressure less and a pressurized version and can be fitted with up to five sensors. The measurement module not only houses the sensors but it also processes all pertinent sensor data and sends this data via a single cable to the 700 P electronics. The digital CAN bus cable is the only connection between the measurement module and the electronics. Connecting sensors is therefore even easier than before. As an available option, the working status of the sensors is additionally visible from a distance away. Red, yellow and white LED's alert the operator of the sensor status.

Benefits

- From Software version 1.10 on measurement of the circulation amount via mA signal input possible
- Innovative, future proof design, flexible in operation & expansion
- 7" colour touch panel ensures intuitive operation
- Trend diagrams available on for all measured parameters
- Remote access via Smartphone or PC when connected to the internet
- Optional electronic water colour indication that serves as a sensor status check
- All functions of the existing DEPOLOX Pool system included
- Time efficient updates and expansions



1	W3T247776	Basic housing, pre-assembled	W3T160652	Chlorine Sensor
2	W2T507548	Rating plate	W3T271602	Chlorine Sensor Lead
3	W3T247777	Housing cover	W3T169297	pH Sensor
7	W3T166170	Shut Off Valve	W3T169298	Redox Sensor
8	W3T158593	Discharge Nozzle	W3T172052	Conductivity Sensor
9	W2T507615	Flat Nut	W3T391563	Total Chlorine Sensor
10	W3T158594	Cell body non-pressurised	W3T171317	Grit White 25g
11	W3T164226	Compression Spring	W3T160410	Electrolyte Set
12	W3T158569	Membrane/diaphragm Unit		
13	W3T160654	O-Ring		
14	W3T158595	Control Valve Body		
15	W2T504209	Plastic Cartridge		

W3T320115	Cell body, complete assembly : comprising items 10-25, 46-47, 83-86
W3T158603	Non-return valve : comprising items 26, 28-33, 50, 80
W3T166171	Drain unit : comprising items 39-45, 81
W3T166194	Fine filter : comprising items 33-34
W3T163739	Seat : comprising items 31-33
W3T166181	Maintenance Kit Overhaul : comprising items 1, 32, 44, 45, 95, 98, 99, 100



EZETROL® TOUCH WALLACE & TIERNAN® ANALYZERS/CONTROLLERS

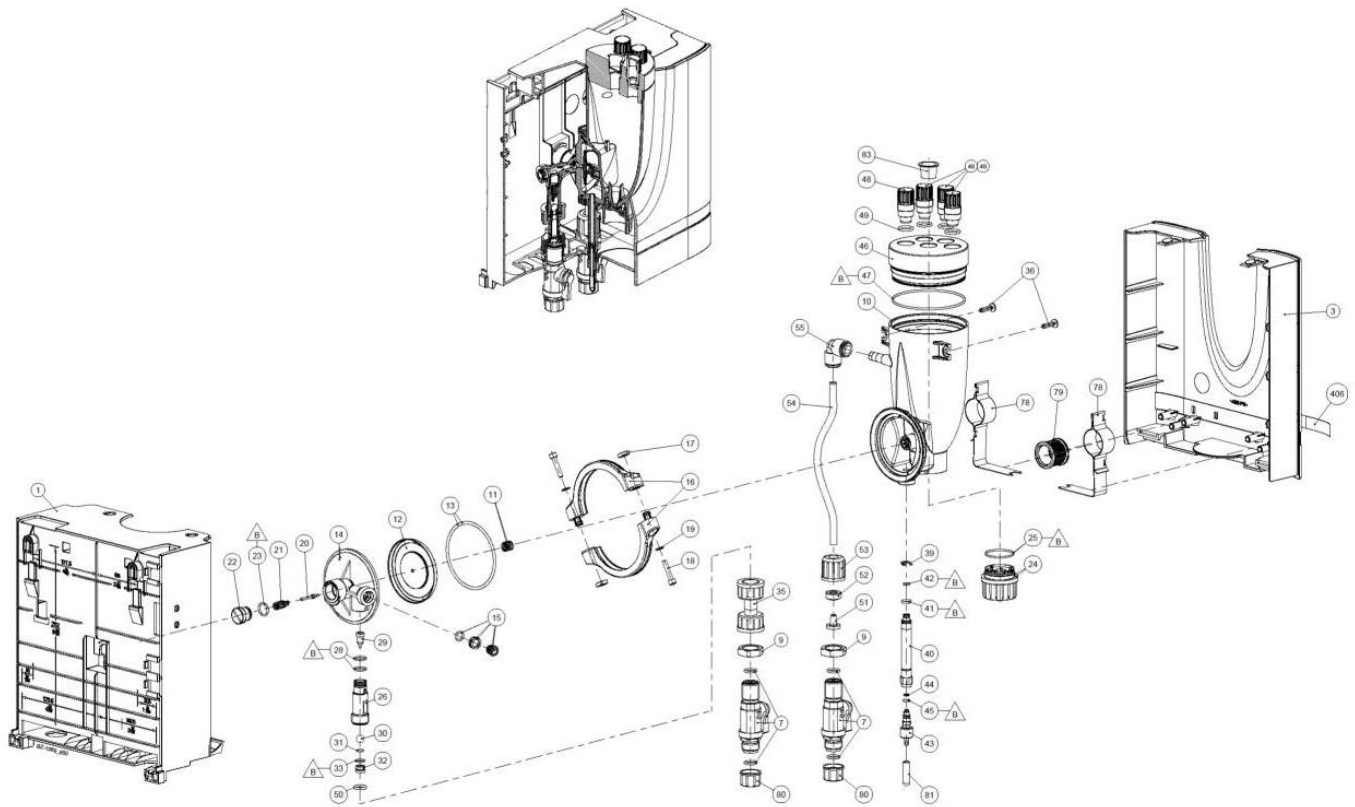
The Ezetrol® touch controller is a state of the art disinfection controller that measures the pool water free chlorine concentration, pH and temperature. An ORP measurement can be added as an optional accessory. The controller provides a chemical feed outputs to a variety of chemical feed devices to control the free chlorine residual and the pH value at their respective setpoints.


DESIGN AND FUNCTION

The system comprises of a pressurized flow cell, accommodating up to three sensors and state of the art electronics. The flow cell permits visual checks of the sample water flow as well as the free chlorine, ORP and pH sensors. The Integral “Multi-Sensor” continuously monitors the sample water flow, measures the sample water temperature and includes a large water ground to protect against electrical noise. The flow control valve guarantees a constant sample water flow and quartz grit enables hydro mechanical cleaning of the free chlorine sensor for long term measurement stability. The flow cell includes an LED light stick which indicates the pool water chemistry status from a distance. The electronics includes an intuitive user interface via its 4” glass panel colour touch display making setup and operation of the controller much easier when compared to conventional LED displays. Various controller outputs, alarm contacts and three digital inputs are standard. Four 0/4 – 20 mA outputs are available as an option. Six freely assignable relay contacts are also available that can be configured as chemical feed outputs or alarm contacts. In addition the following safety functions are built-in: alarm and chemical feed interruption triggered by the sample water flow switch; alarm and chemical feed interruption in case of circulation pump failure; shutdown in the case of supply-tank-empty-alarm; dosing time monitoring and dosing time delay. The plug-in sensors, the pre-wired sensor cables and the modular mounting provide for fast and simple installation, start-up and maintenance of the system.

Benefits:

- 4.3” colour touch screen for truly intuitive operation with shatterproof glass panel
- Integrated web view allows visualization all parameters on web enabled devices
- Modern communication via RS 485, USB and Ethernet interface, Modbus TCP communication integrated
- LED lit flow cell with alarm status via colour change



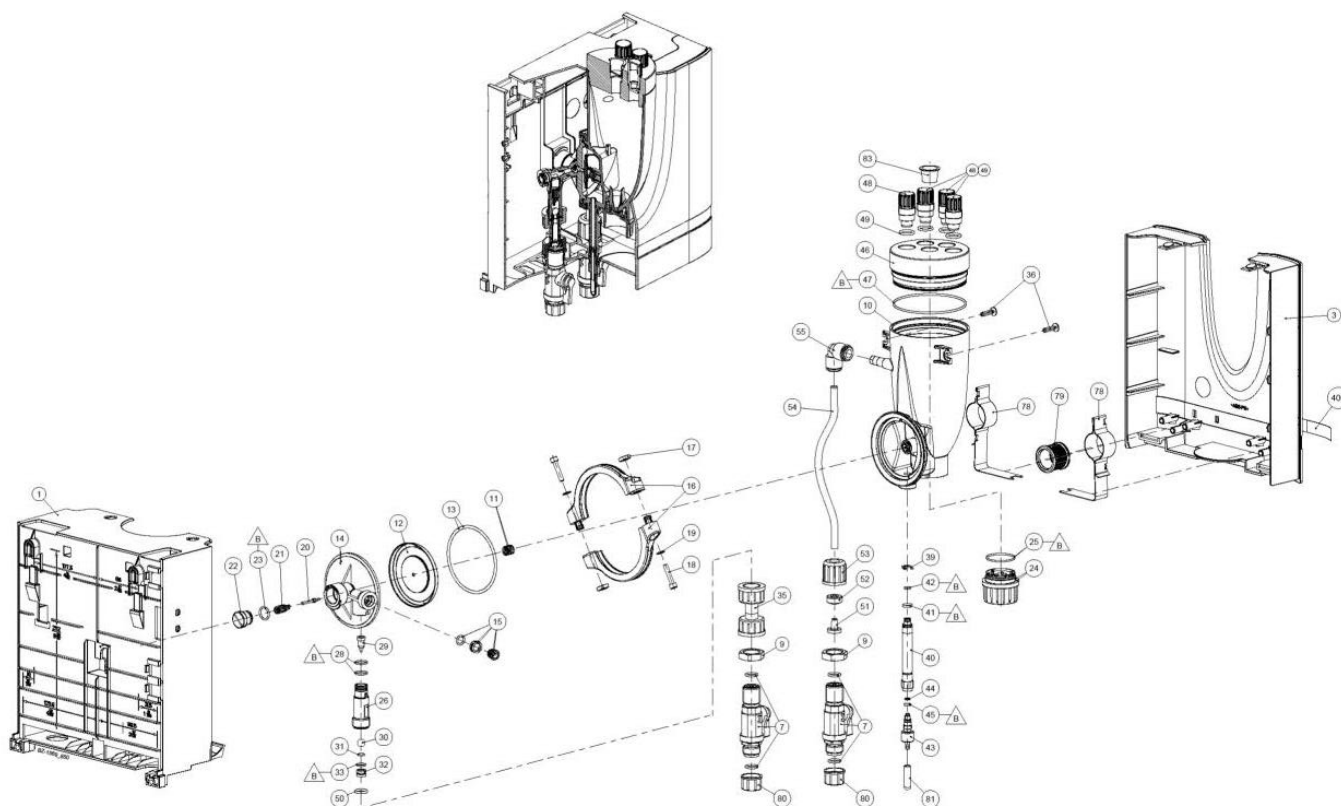
 O-Ring leicht gefettet mit Spezialfett UNISILIKON L250L (W2T504248/W2T504249)
Grease the o-rings slightly with spezial grease UNISILIKON L250L (W2T504248/W2T504249)
Graisser les joint toriques legèrement avec UNISILIKON L250L (W2T504248/W2T504249)


1	W3T247776	Basic housing	W3T160652	Chlorine Sensor
2	W2T507548	Rating plate	W3T172012	Chlorine Sensor Lead
3	W3T247777	Housing Cover	W3T169297	pH Sensor
7	W3T166170	Shut Off Valve	W3T169298	Redox Sensor
9	W2T507615	Flat Nut	W3T172189	pH//Redox Sensor Lead
10	W3T158559	Cell Body Pressurised	W3T172029	Multi Sensor
11	W3T164226	Compression Spring	W3T171317	Grit Grey 25g
12	W3T158569	Membrane/Diaphragm Unit	W3T160410	Electrolyte Set
13	W3T160654	O-Ring		
14	W3T158595	Control Valve Body		
15	W2T504209	Plastic Cartridge		

W3T320116	Cell body, complete assembly : comprising items 10-25, 46-49, 55-83
W3T158603	Non-return valve : comprising items 26, 28-33, 50, 80
W3T166171	Drain unit : comprising items 39-45, 81
W3T166194	Fine filter : comprising items 33-34
W3T163739	Seat : comprising items 31-33
W3T158874	Maintenance Kit Overhaul : comprising items 1, 32,44,45,95,98, 100

Swimming Pool Controllers & Accessories

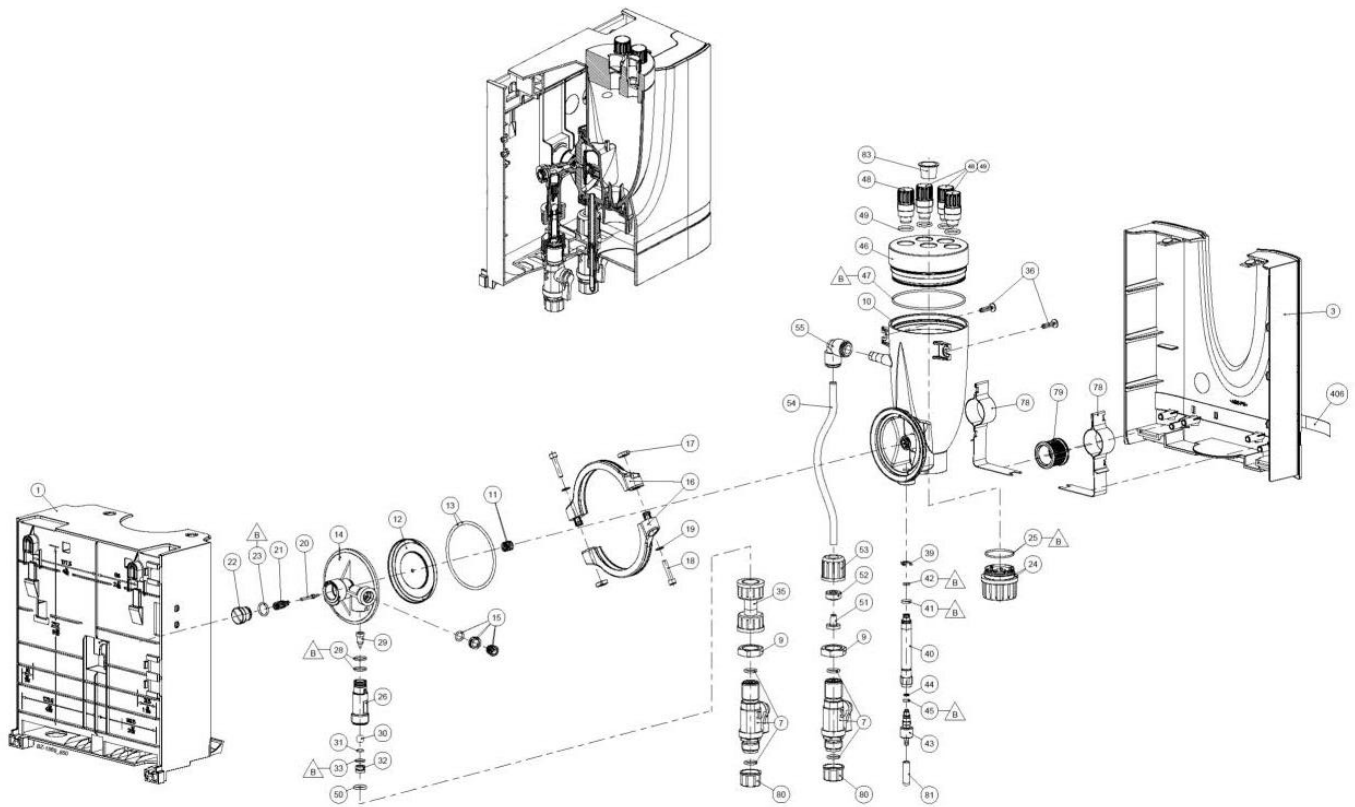
Evoqua – Depolox Pool Spares



 O-Ring leicht gefettet mit Spezialfett UNISILIKON L250L (W2T504248/W2T504249)
Grease the o-rings slightly with spezial grease UNISILIKON L250L (W2T504248/W2T504249)
Graisser les joint toriques légèrement avec UNISILIKON L250L (W2T504248/W2T504249)

- | | | | | |
|-----|---------------------|---------------------------|-----------|------------------------|
| 1. | W3T164571 (AAC590) | Basic housing | W3T160652 | Chlorine Sensor |
| 2. | W2T507548 (P-95408) | Rating plate | W3T172012 | Chlorine Sensor Lead |
| 3. | W3T160629 (AAC4615) | Housing cover | W3T169297 | pH Sensor |
| 4. | W3T172038 (AAC5584) | Product Label | W3T169298 | Redox Sensor |
| 5. | W2T506143 (AAC5374) | Cable clamp | W3T172189 | pH & Redox Sensor Lead |
| 6. | W3T172029 (AAC5461) | Multi-sensor | W3T171354 | Grit Pink 25g |
| 7. | W3T166170 (AAC5602) | Stop Valve | W3T290605 | Probe Cleaner 125ml |
| 8. | W3T158593 (AAC5251) | Adaptor Nipple | W3T165565 | Electrolyte Set |
| 9. | W2T507615 (AAC4891) | Flat nut | | |
| 10. | W3T158594 (AAC5368) | Cell body non-pressurised | | |
| 11. | W3T164226 (AAA6982) | Compression Spring | | |
| 12. | W3T158569 (AAC4828) | Membrane/diaphragm Unit | | |

- | | |
|----------------------|--|
| W3T166173 (AAC5617) | Cell body, complete assembly : comprising items 10-25, 46-47, 83-86 |
| W3T158603 (AAC5608) | Non-return valve : comprising items 26, 28-33, 50, 80 |
| W3T166171 (AAC5611) | Drain unit : comprising items 39-45, 81 |
| W3T166194 (AAC6277) | Fine filter : comprising items 33-34 |
| W3T163739 (UXA95548) | Seat : comprising items 31-33 |
| W3T166181 | Maintenance Kit Overhaul : comprising items 1, 32,44,45,95,98,99,100 |



B
 O-Ring leicht gefettet mit Spezialfett UNISILIKON L250L (W2T504248/W2T504249)
 Grease the o-rings slightly with spezial grease UNISILIKON L250L (W2T504248/W2T504249)
 Graisser les joint toriques légèrement avec UNISILIKON L250L (W2T504248/W2T504249)

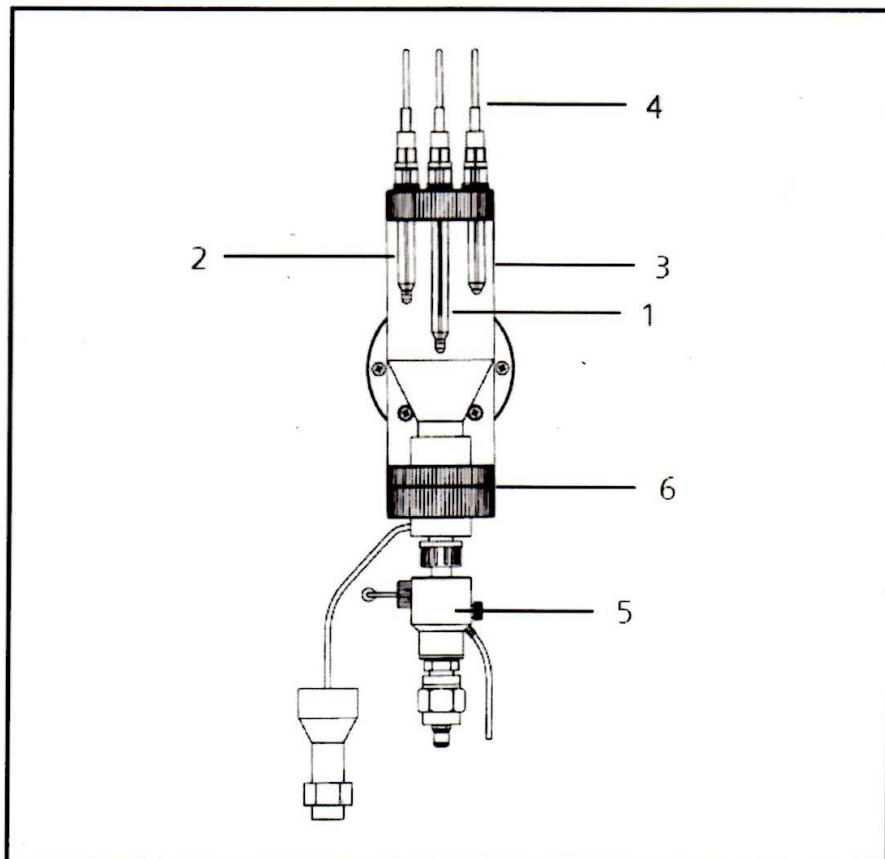
- | | | | | |
|----|---------------------|--------------------------|-----------|----------------------|
| 1 | W3T164571 (AAC5908) | Basic housing | W3T160652 | Chlorine Sensor |
| 2 | W2T507548 (P-95408) | Rating plate | W3T172012 | Chlorine Sensor Lead |
| 3 | W3T160629 (AAC4615) | Housing Cover | W3T169297 | pH Sensor |
| 4 | W3T172038 (AAC5584) | Product Label | W3T172189 | pH/redox Sensor Lead |
| 5 | W2T506143 (AAC5374) | Cable Clamp | W3T169298 | Redox Sensor |
| 6 | W3T172029 (AAC5461) | Multi-sensor/Flow Switch | W3T172029 | Multi Sensor |
| 7 | W3T166170 (AAC5602) | Stop Valve | W3T171317 | Grit Grey 25g |
| 9 | W2T507615 (AAC4891) | Flat Nut | W3T290605 | Probe Cleaner 125ml |
| 10 | W3T158559 (AAC4762) | Cell Body Pressurised | W3T165565 | Electrolyte Set |
| 11 | W3T164226 (AAA6982) | Compression Spring | | |
| 12 | W3T158569 (AAC4828) | Membrane/Diaphragm Unit | | |

- | | |
|----------------------|---|
| W3T166172 (AAC5614) | Cell body, complete assembly : comprising items 10-25, 46-49, 55-83 |
| W3T158603 (AAC5608) | Non-return valve : comprising items 26, 28-33, 50, 80 |
| W3T166171 (AAC5611) | Drain unit : comprising items 39-45, 81 |
| W3T166194 (AAC6277) | Fine filter : comprising items 33-34 |
| W3T163739 (UXA95548) | Seat : comprising items 31-33 |
| W3T158874 (AAE3064) | Maintenance Kit Overhaul : comprising items 1, 32,44,45,95,98, 100 |

Swimming Pool Controllers & Accessories

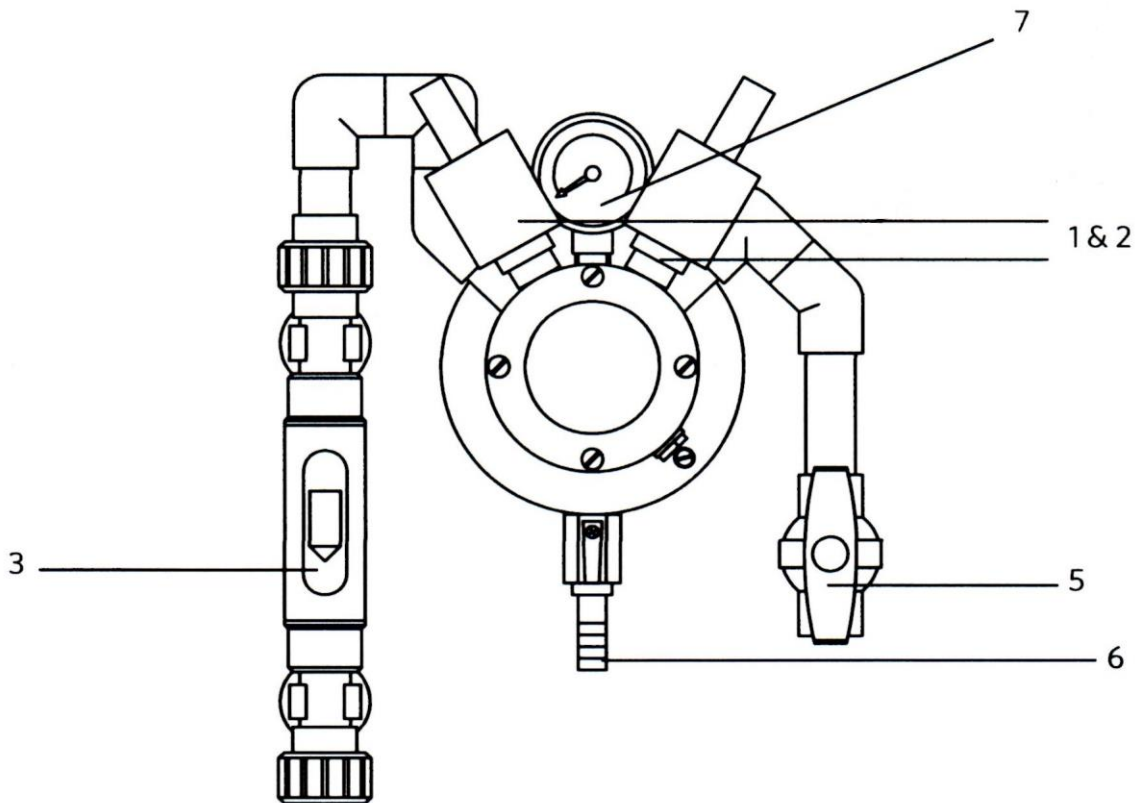
Evoqua – Ezetrol Spares

Flow Cell (Ezetrol® Controller)



- 1 W3T160360 (AAA5608) Chlorine Sensor complete with lead
- 2 W3T169298 (U95690) pH Sensor
- 3 W3T169298 (U95691) Redox Sensor
- 4 W3T173161 (U93838) Sensor Lead (pH & Redox)
- 5 W3T169826 (AAA7000) Flow Switch
- 6 W3T169825 (AAA6991) Flow Regulator

- W3T171317 (U93275) Grit 25g
- W3T169811 (AAA6670) Cell Block Only
- W3T164218 (AAA6679) Flow Regulator Diaphragm
- W3T292052 (EZESPARES) Ezetrol Spares Kit
- W2T629358 (6011-R) Strainer Screen ½" RED
- W3T290605 (2109) Probe Cleaner 125ml



- | | | |
|---|------------------|-------------------------------------|
| 1 | W2T4677 (16006) | pH Booster Probe 16" Cable (Yellow) |
| 2 | W2T3067 (16007) | HRR Booster Probe 16" Cable (Blue) |
| 3 | W3T349152 (6045) | Flow Switch |
| 4 | W3T290708 (4015) | Sample Strainers 1" |
| 5 | W2T623951 (2226) | ½" Plain Compact Ball Valve |
| 6 | W2T623872 (2156) | Ball Valve ¼" |
| 7 | W2T629373 (6032) | 2" Pressure Gauge |

Krypton® Neon Pool



The Kuntze Neon Pool Controller provides the user with clear, concise, control of swimming pool water. It provides accurate and reliable measurement of disinfectants including:

- Chlorine
- Chlorine Dioxide
- Ozone

Kuntze have over 70 years of experience and knowledge of manufacturing instrumentation and sensors. The Krypton systems are designed to satisfy the needs of pool plant operators everywhere. It is able to measure and control the disinfection and pH in a pool or spa 24 hours a day, seven days a week.

The Krypton Pool includes the option to measure water temperature and also optional parameters such as ORP and a fifth additional measuring input which can be used for Free Chlorine, Total Chlorine or Conductivity.

Potentiostatic Open Sensor Measurement

Potentiostatic measurement has long been recognised as the first choice method of measuring disinfectants. Kuntze instruments have refined the measurement with the use of gold measuring and counter electrodes on their open sensor. With the [Zirkon®](#) Double gold sensors our controllers are able to selectively measure the disinfectant you choice from the Neon's menu. The Kuntze [Zirkon®](#) Double Gold sensors do not require electrolyte replenishment or the replacement of membranes to maintain the calibration. The [Zirkon®](#) Disinfectant Sensors are low maintenance and reliable with a long operational life. They can be used in pressurised systems and measurement accuracy is increased within used with Kuntze Automatic Cleaning System.

[ASR®](#) – Automatic Sensor Cleaning is a patented Automatic Sensor Cleaning system and is incorporated within the software of the instruments. [ASR®](#) is the most effective way to clean the electrode surfaces of the disinfection sensor and maintain the integrity of the measurement. The process is fully automated and the software can be set to clean once a day to once a week. The cleaning program can be set whilst the pool is not in use during the night.

The [ASR®](#) works by applying a small electrical charge across the water in the flow cell and turning the water by to hydrogen and oxygen. These components of water aggressively seek to combine with any contamination on near or around the electrode Any leftover hydrogen or oxygen simply recombines and forms water again. There is no chemical or other hazard in the cleaning process.

[StabiFlow®](#) is a simple mechanical device to control the flow of water past the sensors for precise measurement of the disinfectant product. [The StabiFlow®](#) maintains a constant flow of approximately 30 litres per hour increasing the life expectancy of the sensors.

[Cloud Connect®](#) Remote access controlled water measurement at any time, from any place and even on mobile devices is important to all processes. The solution is Kuntze [Cloud Connect®](#) service.

Krypton Neon Pool / K400

- 24135145K DES Chlorine Sensor, 120mm; D Gold/KCL; M12
- 24132700GB pH Sensor 120mm, Glass/KCL;S8 plug
- 24135285K Redox Sensor

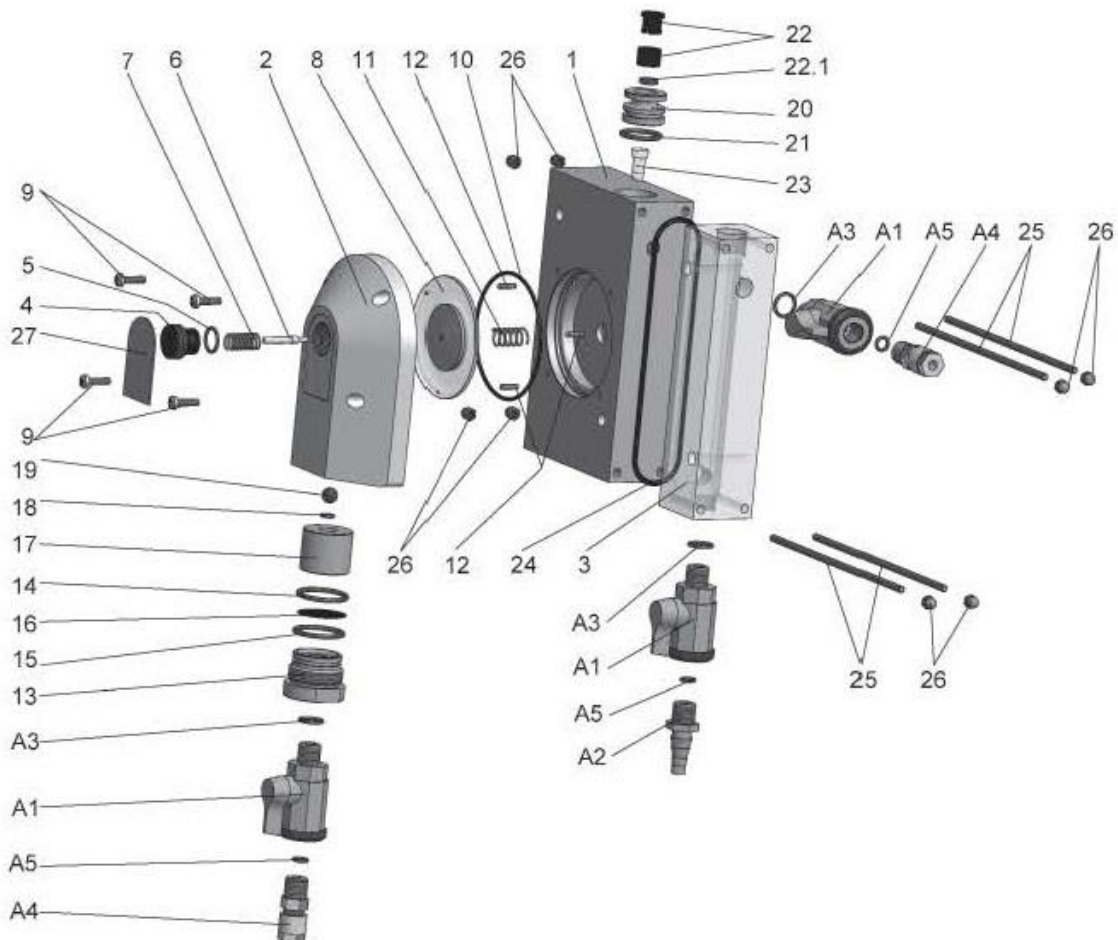
- NeonFit Kit Controller Fitting & Installation Kit
- Neon Modbus Multi Modbus RTU Connection Feature

- 39503000K StabiFlow Body Assembly
- 39500005K StabiFlow Connection Package
- 39500009K Flow Cell 12mm dia Sensor Chamber Kit

- 39500003K Strainer Mesh for K400 Filter (Pack 5)

StabiFlow Service Packs

- 39500006K StabiFlow Service Pack #1
- 39500007K StabiFlow Service Pack #2
- 39500008K StabiFlow Service Pack #3



Swimming Pool Controllers & Accessories

Kuntze – Controller Probes, Buffers, CL2 Gas Detection System

Topline / Analyt 3 Probe

24131111GB/C – pH Sensor, 100mm, Glass S8 plug /C/W lead

24135221GB/C – ORP Chlorine sensor, 100mm, Glass, S8 G Plug; c/w Cable

Ezetrol Plus & Depolox

24135155GB DES Chlorine Sensor; 170mm; Glass/KCL

24132700GB pH Sensor 120mm, Glass/KCL;S8 plug

Ezetrol

24135158GB/C DES Chlorine Sensor, 155mm Glass/KCL;5pin M12 c/w Cable

24132700GB pH Sensor 120mm, Glass/KCL;S8 plug

Buffers

DAK-20000K Buffer Kit (4 & 7 2 x sachets of each 30ml)

95212001GB Zirkon pH 7.0 Buffer Solution (Green)

95212007GB Zirkon pH 4.0 Buffer Solution (Red)

Flow Control

DAK-10028 Flow Control 1/2" BSP @ 0.8ltr/min

DAK-10038 Flow Control 1/4" bsp FF UPVC Rated @ 0.8ltr/min

DAK-10040 Flow Control 1/4" bsp FF UPVC Rated @1.1 ltr/min

Please enquire to any probes that may not be shown here.

NEON Gas Monitor

An instrument designed to detect, measure and warn operators of potentially dangerous gas conditions. The standard instrument is capable of monitoring two sensors which can be installed in separate rooms to monitor for and detect gas.

The NON Gas can be connected to a building management system using 4.20mA Analogue outputs or RS485 Modbus. It can also be connected to the Kuntze Cloud Connect service to allow the remote monitoring and alert of any alarms.

The Neon Gas has been designed to detect Chlorine, Chlorine Dioxide and Ozone.



Key Features

- Two measuring inputs for two sensors (selectable)
- Both measured values displayed simultaneously
- Automatic sensor self-test feature with selectable test intervals
- Rapid response to sudden changes in gas concentrations
- Extended maintenance intervals & sensor life
- 3 programmable alarm relays
- Temperature measurement display



DULCOMARIN®

A gigantic step for your pool system.

The measuring and control system DULCOMARIN® 3 is a reliable system for the treatment of swimming pool water.

The intuitive menu guidance is also supported by videos and shows step-by-step calibration of the sensors.

It is operated using the system's touch display.

You can also operate the DULCOMARIN® 3 remotely via the Internet.

So you can connect to your DULCOMARIN® 3 using your smartphone or any other Internet-compatible end device. You can therefore also control other features, lighting, circulating pumps and filter backwash. The system can be extended at any time to meet future requirements.

The circulation capacity of the pumps adapts to the water quality in Eco!Mode operation. Chemicals are metered precisely according to demand based on measured values, reducing ongoing energy costs and saving chemicals.

The DULCOMARIN® 3 is the central element of the measuring and control system. All the information relating to the individual pools and associated control circuits is collated here. Every other pool is linked to a DULCOMARIN® 3 module, independently of the distance of the pools. You can calibrate the sensors on site here and also set the parameters.

The DULCOMARIN® 3 is connected to a building management system via OPC and KNX. PROFIBUS® DP and Modbus RTU are available for connection to a PLC Programmable Logic Controller. Every DULCOMARIN® 3 module can be equipped with Wi-Fi for operation by tablet or smartphone.

Technical Details

- Measured variables: pH, ORP, free chlorine, total chlorine, combined chlorine, bromine, chlorine dioxide, ozone and temperature
- Precision: 0.5% of the measuring range limit value
- Control characteristic: P/PI/PID control
- Digital inputs: 8 potential-free control inputs e.g. for measured water errors, pause, control, parameter switch-over
- Modular ports: 4 to accommodate 2-channel I/O modules in each, selectable via identity code and retrofittable
- Pump relay (pulse frequency): 4
- Output relay: 3 potential-free changeover contacts, 3 changeover contacts supplied
- Signal current output: via 2-channel I/O modules 2 x 0/4-20 mA or 4 x 0/4-20 mA
- Interfaces: USB, LAN (Ethernet), Wi-Fi (WLAN)
- Supply voltage: 100 – 230 V ± 10 %, 50/60 Hz, optionally 24 V DC



Topax ® Multi Channel Controller

Important values securely under control

As a multi-channel controller the TOPAX DX monitors the current water values during the preparation of the water and it controls in real-time the connected metering system for treating the water. In this way it ensures constant water values in the most varied of applications – taking into account the given norms and guidelines – it is universally applicable. One of its main applications is to ensure the quality of the water in public baths by evaluating the

measurements of, amongst other things, the free chlorine, pH, redox, total chlorine and the conductivity and to control the chlorine gas meter – and/ or salt-flow rate electro-analysis unit.

Convincing features The TOPAX DX is based on the longstanding experience of many generations of TOPAX controllers from Lutz-Jesco. Its modular design makes it an adaptable and a highly compatible partner in measuring and control technology. With the option of connecting it directly to a variety of sensors to measure the water parameters the TOPAX DX fulfils all the needs for optimal water preparation. Mounted on a water sampling station, e.g. PM 01 or DCM 01, all elements required for a professional measurement are united.

When developing the multi-channel controller emphasize was put at the beginning on making it simple and easy to use. The large colour display, presenting all information in plain text and the concise, multilingual menu guidance are proof of this. They make the TOPAX DX easy to understand and operable. The integrated online help adds to its user friendliness.

The access possibilities to the actual measuring and control values are extensive: All current measurement data and controller values are displayed in the main view. They can also be displayed in the screen writer for 24 h at various zoom levels. The data logger and the logbook use the memory card to archive the values. The memory card (Software TopReader) or the TOPAX DX can be read out or controlled per PC via RS 485 (Software TopView). The communication with a PLC controller is possible via RS 485 or Ethernet.

The maintenance and upkeep of the measuring unit with the sensors and the regulator is greatly facilitated with the menu-guided calibration with the subsequent validity check. Faulty sensors or errors in the calibration process are automatically recognized and displayed by the TOPAX DX.

How it Works The TOPAX DX has multiple digital as well as analogue inputs and different regulator-outputs. All measured water parameters can be regulated. Very accurate and quick control is attained thanks to its microprocessor controlled measurement amplifier and controller. The connection of Lutz-Jesco sensors is carried out very simply via terminal blocks to the modules in the TOPAX DX. The start up is supported by the pre-selection of sensors displayed in plain text, which can be assigned in the most varied of outlet signals and thereby freely configured. Following the configuration the complete wiring diagram is displayed.

Jesco – Topax

22306	Platinum Electrode
22307	Copper Electrode
24132700GB	pH Sensor 120mm, Glass/KCL;S8 plug (Kuntze)
31135	Body of Measuring Cell
31613	Glass Balls
81276	Gasket

Prominent - Dulcomarine

1023426	CLE Free Chlorine Sensor for Dulco 2 System
790488	Cl ₂ Electrode Cap Membrane
150702	pH Probe
506270	Electrolyte CLE2 100ml

Topline - Tec2000

T5066	Chlorine Probe
T5067	pH. Probe
T5264	Redox Probe
T5635	Flow Cell Service Kit (inc, ref electrode, elec con seals, plugs and 2x flow screws)
T5262	Front panel for TEC2000
T5265	Acrylic Cell

Bayrol – Analyt or CPC Pool Supervision

L177	pH Probe c/w cable & BNC connection
L178	Redox Probe c/w cable & BNC connection
L180	Chlorine Cell complete
L182	Copper Electrode
L185	Platinum Electrode
L183	Glass beads

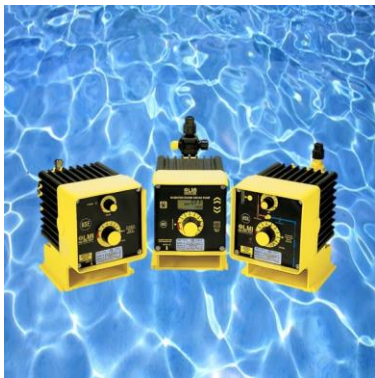
Seko

RIC0151034	Copper Electrode
RIC0151025	Platinum Electrode
9900105001	pH Sensor; BNC Connection 1.5m cable
9900105031	Redox Probe; BNC Connection 1.5m cable
9900170019	Glass Balls



Dosing Pumps & Spares

LMI - Series P, B & C – 300BSP



Solenoid Pumps

P125-350S2	0.75 ltr/hr	@ 10.3 bar
P135-390S2	1.6 ltr/hr	@ 7.5 bar
P145-350S2	2.2 ltr/hr	@ 17.3 bar
P155-390S2	3.7 ltr/hr	@ 7.5 bar
P165-360S2	7.6 ltr/hr	@ 3.5 bar
P185-360N2	12 ltr/hr	@ 1.5 bar
B115-390S2	6.0 ltr/hr	@ 10.3 bar
B125-390S2	9/5 ltr/hr	@ 6.9 bar
B135-360S2	3.7 ltr/hr	@ 7.5 bar
B145-310N2	26 ltr/hr	@ 2.0 bar
C115-360S2	9.5 ltr/hr	@ 10.3 bar
C125-360S2	15.2 ltr.hr	@ 6.9 bar
C135-310S2	30.4 ltr/hr	@ 4.1 bar

Liquid End Kits

350	RPM352-DMR
390	RPM392-DMR
360	RPM362-DMR
310	RPM312-DMR

Head Assemblies

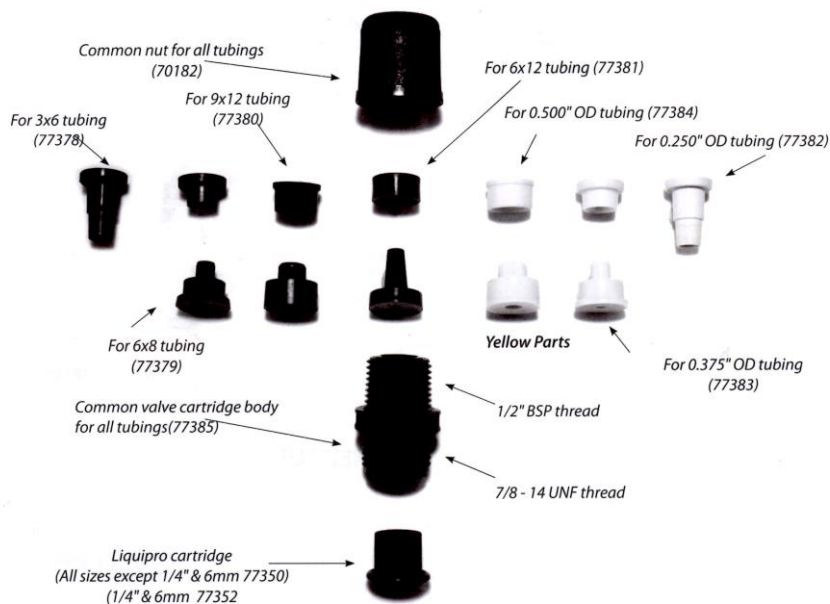
HA350	P125/P145
HA390	P135/P155/B115/B125
HA360	P165/P185/B135/C115/C125
HA310	B145/C135

77388 Four Function Valve 300BSP PVDF
48754 Four Function Valve Roytronic PVDF

Coupling Kits

- 77378 3 x 6mm
- 77379 6 x 8mm
- 77380 9 x 12mm
- 77381 6 x 12mm
- 77382 1/4"
- 54714 3/8"
- 77383 3/8"
- 77384 1/2"

77364 Injection Valve 1/2" BSP
77367 Foot Valve 1/2" BSP





GA & GM Mechanical Pumps

GA25-P4T	25 ltr/hr	@ 1.5 bar
GA45-P4T	45 ltr/hr	@ 1.5 bar
GA90-P6P	85 ltr/hr	@ 1.5 bar
GA120-P6P	120 ltr/hr	@ 1.5 bar
GA170-P6P	170 ltr/hr	@ 1.5 bar

GM25-P4T	25 ltr/hr	@ 1.5 bar
GM90-P40Q	85 ltr/hr	@ 1.5 bar
GM50-P4T	50 ltr/hr	@ 1.5 bar
GM120-P40Q	120 ltr/hr	@ 1.5 bar
GM170-P40Q	170 ltr/hr	@ 1.5 bar
GM240-P40Q	240 ltr/hr	@ 1.5 bar
GM330-P50Q	315 ltr/hr	@ 1.5 bar
GM400-P50Q	400 ltr/hr	@ 1.5 bar

Spares Kits

P4T	3071240185F	GA25 / GA45 / GM25 / GM50
P6P	3071240152F	GA90 / GA120 / GA170
P40Q	3071240044F	GM90 / GM120 / GM170 / GM240
P50Q	3071240170F	GM330 / GM400

Injection Valve

P4T	77364	½" BSP
P6P	77032	½" BSP
P40Q	3050823307F	½" BSP
P50Q	3050823307F	½" BSP

Foot Valve

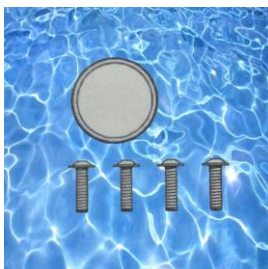
P4T	77367
P6P	77034
P40Q	3050987050F
P50Q	3050987050F





Solenoid Pumps

Magdos LB05	0.36 ltr/hr	@ 16 bar
Magdos LB 1	0.76 ltr/hr	@ 16 bar
Magdos LB 2	1.9 ltr/hr	@ 16 bar
Magdos LB 4	3.4 ltr/hr	@ 16 bar
Magdos LB 6	6.2 ltr/hr	@ 8 bar
Magdos LB10	9.0 ltr/hr	@ 6 bar
Magdos LB15	13 ltr/hr	@ 3 bar



- 39121 Magdos LB Diaphragm Kit – LB1/LB05
- 39122 Magdos LB Diaphragm Kit – LB2/LB4
- 39123 Magdos LB Diaphragm Kit – LB15/LB10/LB6



- 39130 Magdos LB Accessory Kit – LB1/LB05
- 39131 Magdos LB Accessory Kit – LB6/LB4/LB2
- 39143 Magdos LB Accessory Kit – LB15/LB10



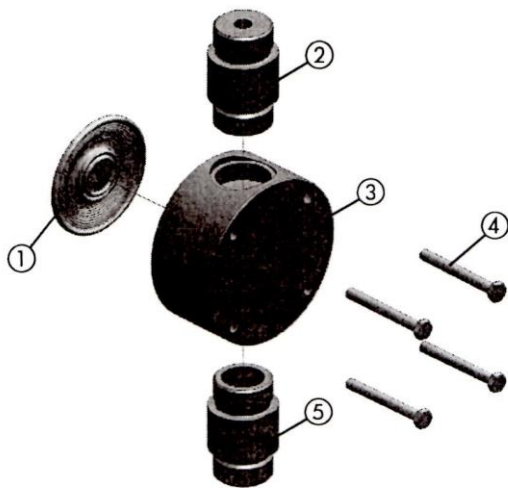
- 38981 Magdos LB Dosing Head Kit – LB1/LB05
- 38982 Magdos LB Dosing Head Kit – LB4/LB2
- 38983 Magdos LB Dosing Head Kit – LB15/LB10/LB6



Mechanical Pumps (also available in LP pulse control)

Memdos LB4	4 ltr/hr	@12 bar
Memdos LB10	14 ltr/hr	@12 bar
Memdos LB20	22 ltr/hr	@12 bar
Memdos LB35	36 ltr/hr	@10 bar
Memdos LB60	63 ltr/hr	@10 bar
Memdos LB80	90 ltr/hr	@5 bar
Memdos LB110	114 ltr/hr	@10 bar
Memdos LB150	156 ltr/hr	@5 bar
Memdos LB160	144 ltr/hr	@10 bar
Memdos LB210	210 ltr/hr	@10 bar
Memdos LB260	264 ltr/hr	@10 bar
Memdos LB310	294 ltr/hr	@8 bar
Memdos LB400	390 ltr/hr	@6 bar
Memdos LB510	504 ltr/hr	@4 bar
Memdos LB760	744 ltr/hr	@4 bar
Memdos LB1010	1020 ltr/hr	@3 bar

Diaphragm Spares Kit (Items 1 & 4)



- 40356 LB4, LB10, LB20 (d52)
- 40357 LB35, LB60 (d64)
- 40358 LB80, LB110, LB150, LB160 (d90)
- 40359 LB210, LB260 (d120)
- 40360 LB310, LB400 (d150)
- 40361 LB510, LB760, LB1010 (d185)

PVC Dosing Head Spares kits including ball valves (ceramic Ball/PVDF Seats/FPM seals) (items 2,3,4,5)

- 40385 LB4, LB10, LB20
- 40386 LB35, LB60
- 40387 LB80, LB110, LB150, LB160

LB210, LB260

Dosing Head - 99393 / Suction Valve – 34173 / Discharge Valve- 34174
LB310, LB400

Dosing Head - 91213 / Suction Valve - 34173/ Discharge Valve - 34174
LB510, LB760, LB1010

Dosing Head - 34567 / Suction Valve – 91579 / Discharge Valve – 91579



12601001
40156

Multi Function Valve (Pentabloc)
Conn Kit for DN4 Valve PVC Hose 4/6 + 6/9 + 6/12



Solenoid Pumps

BT4b 1000	0.7	ltr/hr	@ 10 bar
BT4b 1601	1.1	ltr/hr	@ 16 bar
BT4b 1602	2.1	ltr/hr	@ 16 bar
BT4b 1604	3.8	ltr/hr	@ 10 bar
BT4b 0708	7.1	ltr/hr	@ 7 bar
BT4b 0413	12.3	ltr/hr	@ 4 bar
BT5b 0420	17.1	ltr/hr	@ 4 bar
BT5b 0232	32	ltr/hr	@ 2 bar

Injection Valve

924680	Injector 6 x 4mm hose
924592	Injector 8 x 5mm hose
924593	Injector 12 x 6mm hose
924594	Injector 12 x 9mm hose

Foot Valve

924557	Foot Valve Assembly 6 x 4mm hose
924562	Foot Valve Assembly 8 x 5mm hose
924564	Foot Valve Assembly 12 x 9mm hose

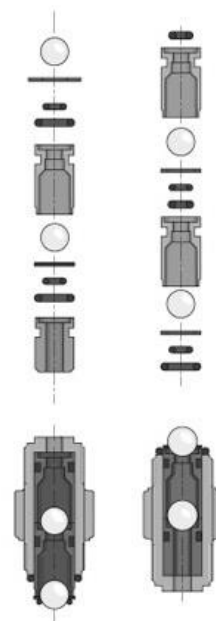


Spares Kit

1023107	Pump Spares Kit 1000 PVT
1023108	Pump Spares Kit 1601 PVT
1023109	Pump Spares Kit 1602 PVT
1035332	Pump Spares Kit 1604 PVT
1023111	Pump Spares Kit 1708 PVT
1023112	Pump Spares Kit 0413 PVT
1023113	Pump Spares Kit 0420 PVT
1023124	Pump Spares Kit 0232 PVT

Spare parts kits for Beta® b, consisting of:

- 1 diaphragm
- 1 suction valve assembly
- 1 discharge valve assem
- 2 valve balls
- 1 connector kit





Ezetube Peristaltic Dosing Pump

W3T167276	EzeTube	0.15 l/hr	8-150 ml/hr
W3T167279	EzeTube	0.6 l/hr	15-600 ml/hr
W3T167277	EzeTube	2.0 l/hr	45-2000 ml/hr
W3T167278	EzeTube	4.0 l/hr	150-4000 ml/hr

Capacity Kit – with pharmed feeding hose and PVDF tube connection for tubing 4 x 1mm

W3T160729	Metering Range 8-150ml/hr	Blue
W3T164495	Metering Range 15-600 ml/hr	Black
W3T164496	Metering Range 45-2000 ml/hr	Green
W3T164497	Metering Range 150-4000 ml/hr	Red
W3T164724	Metering Range 15-7000 ml/hr	Yellow

Feeding Hose

W3T160730	Feeding hose 150	Blue
W3T164498	Feeding hose 600	Black
W3T164499	Feeding hose 2000	Green
W3T171983	Feeding hose 4000	Red
W3T164725	Feeding hose 7000	Yellow

W3T162406	Injection Unit DN8 (hose 4 x 1mm)
W2T803020	Dosing Hose, Soft PVC 4 x 1mm 100mtrs
W3T160606	Foot Valve with Strainer PVC/PVDF; (hose 4 x 1mm)

Flocdos Peristaltic Dosing Pump

189586	Flocdos plus - 1.6l/hr	c/w pressure switch, injection assembly & suction lance
--------	------------------------	---

R395	Roller
R396	Safety Disc – Blue

R397	Hose Holder & Hose – 1.6
R399	Hose only 1.6

R398	Hose Holder & Hose – 0.8
R400	Hose Only 0.8

G0014	6 x 4mm Soft PVC Hose - 30 metre roll
G0016	6 x 4mm LDPE Hose – 30 meter roll

JAKPACSET – Comprising peristaltic pump complete with foot valve dosing hose and injector, carboy bund and safety labelling,



Chemical Dosing Equipment

Bulk Tanks, Day Tanks, Bunds , Carboy Bund, HTP, Electric Mixer

Bulk Tanks

DT1000B	1000 ltr bulk tank	1065d x 1355h	black
ST1500	1500 ltr bulk tank	1200d x 1694h	black
ST2000	2000 ltr bulk tank	1625d x 1430h	black

Tanks & Bunds

DT50	Day Tank – 50Ltrs	425d x 500h	natural
BT50	Bund Tank – 50Ltrs	680d x 285h	natural
DS05	DayTank – 50 Ltrs	380d x 680h	natural
DB1	Bund Tank – 50 Ltrs	470d x 430h	natural
HA50	Hand Agitator – 50Ltrs		

DT100	Day Tank – 100 Ltrs	495d x 700h	natural
BT100	Bund Tank – 100 Ltrs	805d x 325h	natural
DS1	Day Tank – 100 Ltrs	470d x 680h	natural
DB2	Bund Tank – 100 Ltrs	610d x 445h	natural
HA100	Hand Agitator – 100Ltrs		

DT200	Day Tank – 200Ltrs	635d x 785h	natural
BT200	Bund Tank – 200Ltrs	790d x 395h	natural
DS2	Day Tank – 200 Ltrs	610d x 870h	natural
DB3	Bund Tank – 200 Ltrs	680d x 700h	natural
HA200	Hand Agitator – 200Ltrs		

W75UB Pump Mounting Carboy Bund 25ltr

Electric Mixers - Seko

490-MS112M4P06E1500	Slow Rated Mixer 600mm PVC 200 rpm
490-MS112M4P08E1500	Slow Rated Mixer 800mm PVC 200 rpm
490-MS112M4P09E2200	Slow Rated Mixer 900mm PVC 200 rpm
490-MS112M4P11E2200	Slow Rated Mixer 1100mm PVC 200 rpm

Acid Dilutor

9-AD Venturi Acid Dilutor Assembly

Hand Transfer Pump

20014B035	Hand Transfer Pump (Viton)
HTP-CF	Hand Transfer Pump (Viton)

Drum Transfer Pumps

Pump Set - Concentrated acids and alkalis





Dosing Hose

Single Walled -1/4"- MDPE 1/4" OD x 0.157" ID 30mtrs

Single Walled – 3/8"- MDPE 3/8" OD x 1/4" ID 30mtrs

Single Walled – 1/2"- MDPE 1/2" OD x 3/8" ID 30mtrs

Double Walled -1/4"- MDPE 1/4" OD x 1/2" ID 30mtrs

Double Walled -3/8"- MDPE 3/8" OD x 3/4" ID 30mtrs

Double Walled -1/2"- MDPE 1/2" OD x 3/4" ID 30mtrs

reinforced dosing hose 1/2" 30mtrs

reinforced dosing hose 3/4" 30mtrs

reinforced dosing hose 6mm x 12mm 30mtrs

Chemical Safety Labels

Calcium Hypochlorite Hanging Label

Sodium Hypochlorite Hanging Label

Sodium Bisulphate Hanging Label

Hydrochloric Acid Hanging Label

Carbon Dioxide Hanging Label

Poly Aluminium Chloride Hanging Label

Calcium Hypochlorite Sticker Label

Sodium Hypochlorite Sticker Label

Sodium Bisulphate Sticker Label

Hydrochloric Acid Sticker Label

Poly Aluminium Chloride Label



NB: JAK are able to provide bespoke Deadman/ auto fit solutions for Acid and Hypo applications.

Chemical Dosing Equipment

UV – Hanovia and ATG

HANOVIA

130027-1001-02	Lamp - ARC T PH 1.0kw DE PQ
130027-3001-01	Lamp - ARC T PH 3-7kw DE PQ
130027-3001-02	Lamp - ARC T PH 3-7kw DE PQ
180006-1038-01	Wiper Server
180007-0038-01	Seal Kit Quartz 38mm
180010-1038-01	Wiper Service Kit
180010-1038-04	Wiper Server M16 MK6.3
320193-0558-01	Quartz Sleeve - 38pq
320193-1028-01	Quartz Sleeve
320430-01	Bearing Housing
41004-0870-01	O-ring 339.3 x 5.7
420013-3308-01	Coupling
420026-3308-01	Wiper Drive Coupling Hub
750003-0002-02	Fan filter 140x130
750004-0110-01	FAN 110V 120 SQ



ATG

W1501220	UV Lamp 1.5kw (MP15D)
W1501300	UV Lamp 2.0kw (MP20D)
W1501405	UV Lamp 2.5kw (MP25S49)
W1501902	UV Lamp 5kw (MP50S49)
W1501904	UV Lamp 5kw CAGED(axial) (MP5050C49)
W2020115	Quartz Sleeve QSL-36x318-320
W2020200	Quartz Sleeve QSL-36x368-370
W2020290	Quartz Sleeve QSL-36x418-420
W3200100	SS-24 EPDM O Ring 24.99x3.53
W3200300	SS-36 EPDM O Ring 36.09x3.53 V70
W3200400	SS-49 EPDM O Ring 49.21x3.53
W3200795	Quad ring seal kit (8mm)
W3300275	Viton O Ring 160x4.0
W3400160	Viton O Ring 33x4 Window seal (QWS-40)
W3300360	EPDM O Ring 229.3x5.7 (8")
W3400157	EPDM O Ring 13x3.5 Window Seal (QWS-20)
W3400185	EPDM O Ring 179.5x3 (6")
W3400500	EPDM Wiper Ring 36-dia - 80 Shore
W3400600	EPDM Wiper Ring 49-dia - 80 Shore
W6227001	Spectra 1 Membrane
W6161012	Spectra 2 Membrane
W6636655	Mesh Fan Filter - Large 275mm x 275mm
W6636660	Mesh Fan Filter - Small 115mm x 115mm
W6636661	Mesh Fan Filter - Medium 210mm x 210mm

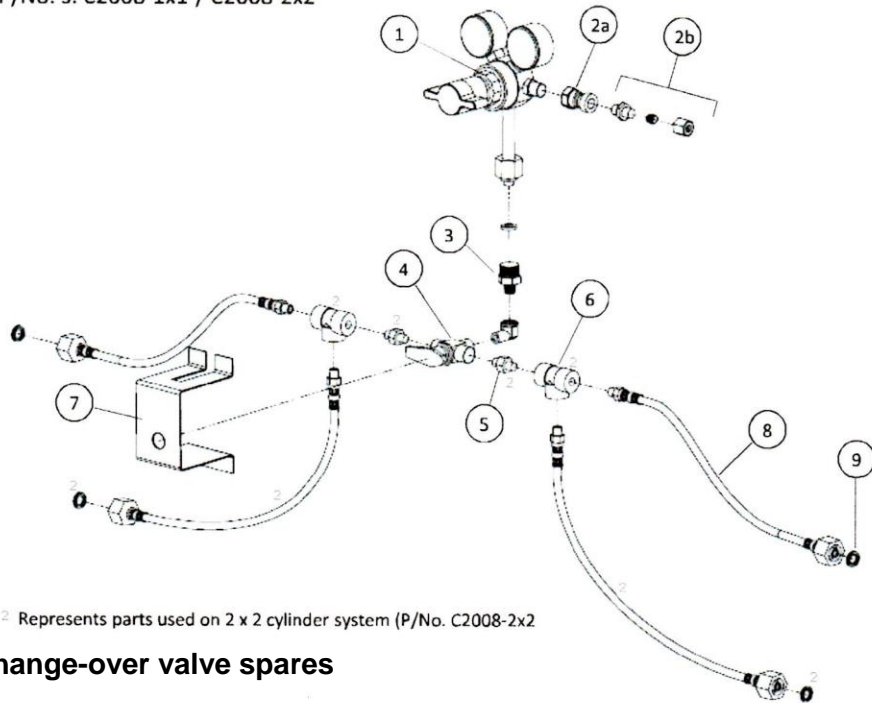


JAK are accredited service engineers to carry out all installation and maintenance of the above equipment.

JAK can supply all spares for these manufacturers.

CO₂ Dosing System

P/No.'s: C2008-1x1 / C2008-2x2



2 Represents parts used on 2 x 2 cylinder system (P/No. C2008-2x2)

C2008 – CO2 Manual change-over valve spares

- 1 C2600 Bottle Regulator 230/4bar
- 2a C2610 Adaptor 3/8" f cone x 1/4" f cone
- 2b C2611 Adaptor 1/4" m cone x 8mm (5/16") OD
- 3 C2612 CO2 bottle adaptor, CO2 m x 1/4"m
- 4 C2613 1/4" manual high pressure brass T port ball valve
- 5 C2111 Hexagon steel nipple 1/4"bsp
- 6 C2013 High pressure tee 1/4" 3000psi
- 7 C2614 Mounting Bracket C2008 x/o valve, 316 s.s
- 8 C2015 CO2 Cylinder Hose, co2 Fx1/4" bsptm , 0.9mtr
- 9 C2109 CO2 metal bonded washer

Imperial Brass Fittings

- C2101 Adaptor 1/4" BSPT x 5/16" OD (excl nut & sleeve)
- C2406 5/16" OD Sleeve (Olive)
- C2407 5/16" OD Tubing Nut
- C2412 1/4" bsptm x 5/16" (8mm) Elbow

Imperial Plastic Fittings

- C2420 1/4" bsptm x 5/16" od push-fit adaptor
- C2421 5/16" od equal push-fit tee
- C2422 5/16" od equal push-fit connector
- C2423 5/16" push-fit elbow
- C2424 3/8" x 5/16" od push-fit reducing connector
- C2403 CO2 Nylon Tube, 5/16" OD x 30m Coil

C2850 – CO2 Flow Controller 2-12 ltrs/min

230v 8mm od (5/16") nylon hose
IP65 enclosure

- C2851 Solenoid Valve 230b, 1/8" bps
- C2820 CO2 Block Flow meter 212 l/min

- C2201 Glass Flow Tube 1-11 l/min
- C2202 Glass Flow Tube 2-12 l/min
- C2203 Glass Flow Tube 0.6-4.4 l/min

Diffusion Injector

- ECO2-60SV 1 1/4" bsp lance diffusion injector
- C2009A Standard injector 1/2" bsp
c/w non return valve

melclorite

Not all Calcium Hypochlorite is the same, and when considering different products you should include in your evaluation the following factors :-

- available active chlorine
- insoluble material
- water content

Why? well for the following reasons:-

The more active chlorine the less product is required to maintain free chlorine

The **less insoluble** material then the less blockages, contaminants and maintenance costs, reducing operating costs.

The more water content the safer the product, as the lower the water content the more risk there is of flammability.

Melclorite boasts **70->75% available chlorine** (10-15% more than any other brand)

Melclorite is manufactured in Japan with a patented process and has **3 to 5 times less insolubles**

Melclorite is considered the safest calcium hypochlorite in the world with **12.5% moisture.**

Melclorite is suitable for use in all well known Calcium Hypochlorite dosing systems.

Available in granules, N.X 20g tablets and 200g tablets, 70/20 20g Tablets

Suitable for Municipal or Potable water applications



melchlorite N.X

The Chlorinator N.X is compact and easy to use.

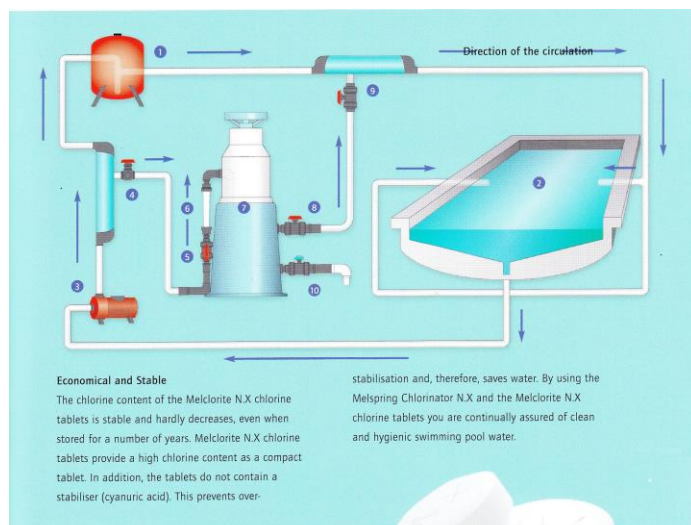
The dose-measuring device is connected to the filter pumping system of the swimming pool. The device itself is not fitted with a pump but makes use of the water circulation caused by the filter pump. The risk of malfunction is minimal because the device does not have any moving parts.

The Chlorinator N.X is suitable for public and private swimming pools with water capacity ranging from 200 to 800m³. The maximum capacity depends on a number of factors, such as the location of the pool, the number of users and the extent of external contamination. The device has been designed for semi-automatic or completely automatic water treatment. In the latter case the device should be fitted with a solenoid valve which is operated using process control technology.

Purity and Stability

The Chlorinator N.X has been developed in cooperation with the manufacturer of the Melchlorite N.X chlorine tablets. The sturdy materials for the production of the Chlorinator N.X were, therefore, selected based on the specific properties of the Melchlorite N.X chlorine tablets. Melchlorite N.X guarantees as stable quality and unprecedented purity (over 70% chlorine). The Chlorinator N.X may only be used in combination with the Melchlorite N.X chlorine tablets.

p/n 8421990950





The FlowTab II has been designed and engineered to dispense calcium hypochlorite tablets in a safe, economic and trouble free manner.

Benefits of FlowTab II

- Automatic flushing system
- Fully automatic chlorine preparation system.
- Efficient usage of available chlorine, No Waste.
- Scale formation reduced.
- No electrical mixers or agitators required.
- Maintenance kept to the absolute minimum.
- Attendance by operational staff is substantially reduced.

Technical Information

- Automatic/Manual control
- Fully Automatic CIP system to provide a longer maintenance free operation.
- Constant strength - adjustable between 0.1% to 1%.
- Compatible with automatic controllers.
- Manual over-ride.
- 12kg Storage Hopper for calcium hypochlorite tablets.
- Quality dosing pump/s for reliability.

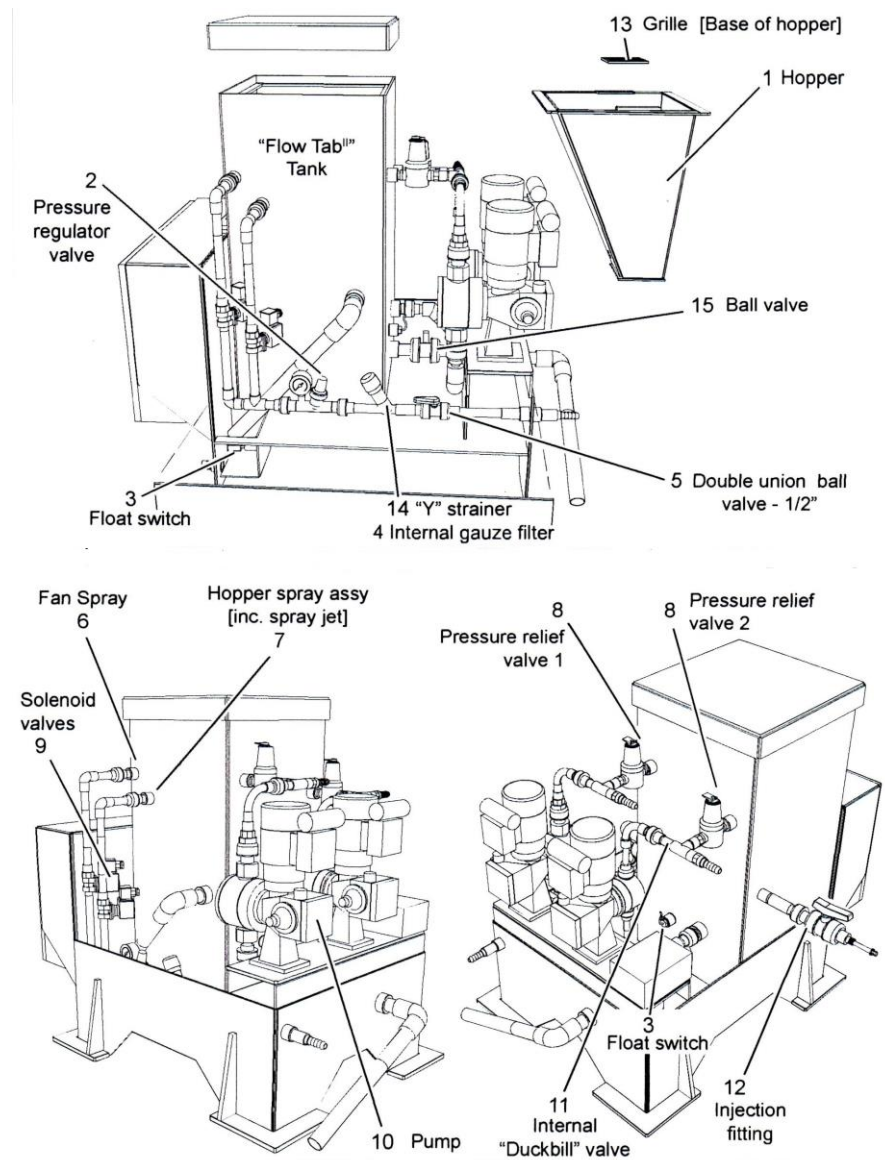
As quality and safety standards increase within the water industry, the use of calcium hypochlorite, particularly in tablet form, has become the most popular option due to its ease of use and dosing accuracy.

The FlowTab II is designed to produce a constant chlorine solution on demand with only two to three litres of solution held within the preparation chamber. The necessity for bulk chlorine storage tanks and the possibility of spillages are removed, resulting in a safer operational environment.

The FlowTab II is suitable for Pool, Potable and Sewage treatment.

DOSE UPTO 3 POOLS MAXIMUM CAPACITY 500M3/HR





- | | | |
|----|-------------|---------------------------------|
| 1 | FTAB4510 | Hopper |
| 2 | FTAB4528 | Pressure Regulator Valve |
| 3 | FTAB4526 | Float Switch |
| 4 | FTAB4530 | Strainer Gauze |
| 5 | FTAB4531 | Double Union Ball Valve |
| 6 | FTAB4525 | Fan Spray Assembly (Hopper) |
| 7 | FTAB4524 | Hopper Spray Assembly |
| 8 | FTABPRO5647 | Pressure Relief Valve |
| 9 | FTAB4527 | Solenoid Valve 1/2" |
| 10 | Pump(s) | |
| 11 | FTABPRO5648 | Pressure Relief Valve Diaphragm |
| 12 | JAK100323 | FlowTab Injector |
| 13 | FTAB4511 | Grill |
| 14 | FTAB4530 | Y Strainer |
| 15 | FTAB4532 | Ball Valve |
| 16 | FTAB4513 | Tank Body |

Chemical Dosing Equipment

GRANUDOS 10-S4



Dosing station for calcium hypochlorite granulate and acid for the disinfection of swimming pool water. Chlorine dosing directly from integrated hopper 5 kg. Acid is dosed into the system directly from the canister to correct the pH and to avoid scaling. Chlorine and acid are dosed separately at intervals to the dissolving system and dissolved completely. Then the chlorine solution is conveyed by a venturi nozzle to the pool water. Dosing manually or linked to an external control system. All functions are permanently monitored.

Scope of delivery

- **Housing** : Solid one part rotational sintered PE shape containing all functional parts.
- **Chlorine dosing** : Dosing hopper for chlorine granulate for max. 5 kg, dosing motor, dosing screw, knocker to support the dosing.
- **Acid dosing** : Peristaltic dosing pump, suction lance with empty report of the canister, dosing valve 3/8" in the dissolving system.
- **Dissolving system** : Pre-filter d 75, flushing tank, booster pump app. 1000 l/h at 1,2 bar, venturi, mixing cyclone. Monitoring of the pump by pressure switch. Monitoring of the suction performance of the venturi. Level monitoring in the flushing tank.
- **Micro processor controller S4**: Signalization and identification of faults by 5 LED. Non volt omnibus fault message. Programme selector for service and test programmes. Adjustment of dosing performances chlorine and acid by 2 rotary knobs. External dosing control with controllers for free chlorine and pH-value with non-volt contact or 230 V/AC impulse length controlled. Relay system to assure dosing of only chlorine or acid or none. Switch-off of the dosing at malfunction.

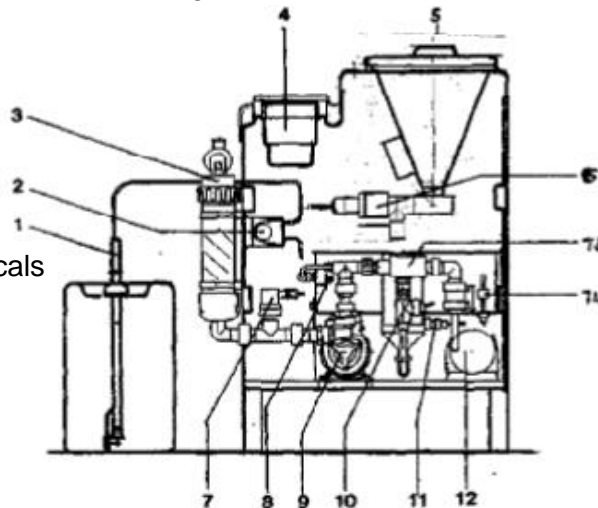
Technical Data

To be provided by the builder

- Power supply
- Supply tubing and tubing to the injection point
- Tubing of the overflow to the drain
- Autocontrol system to control the dosing of the chemicals

Accessories/ Options

- Adapter for bigger dosing hopper
- Adapter for different 10 kg buckets
- Optional for the dosing of Dichlor
- Autocontrol system





Dosing station for calcium hypochlorite granulate and acid for the disinfection and the pH-regulation of swimming pool water.

Chlorine dosing directly from the delivery drum. Acid is dosed into the system directly from the canister to correct the pH and to avoid scaling. Chlorine and acid are dosed separately at intervals to the dissolving system and dissolved completely. Then the chlorine solution is conveyed by a venturi nozzle to the pool water. Dosing manually or linked to an external control system. All functions are permanently monitored.

Scope of delivery

Vertical support : Rotating drum carrier, steel, zinc and blue powder coated, drum fixing device with clamp bands and safety belt

Chlorine dosing : Dosing hopper to be screwed on the chemical drum. Dosing motor, dosing screw, knocker to support the dosing. Capacitive switch for empty monitoring of the drum

Dissolving system : Pre-filter d75, flushing tank, booster pump app. 800 l/h at 1,2 bar, venturi, mixing cyclone. Monitoring of the pump by pressure switch. Monitoring of the suction performance of the venturi. Level switch min/max flushing tank

Micro processor controller S4-DI : in housing IP 54. Programme selector for service and test programmes. Control of the dosing continuous or by control input 4-20mA from a flow meter. Switch off of the dosing at malfunction. Non volt fault remote control. Processing of all monitoring switches and identification of irritations by 5 LEDs

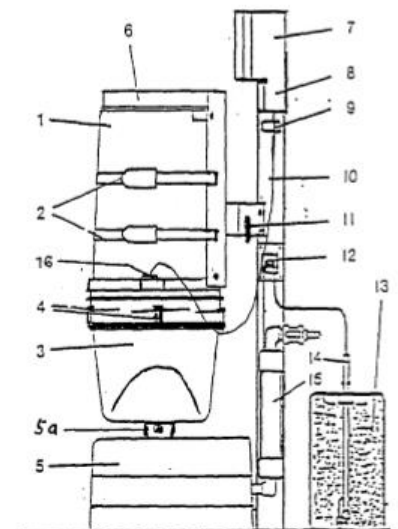
Technical Data

To be provided by the builder

- Power supply
- Supply tubing and tubing to the injection point
- Overflow/ drain in the plants room
- Autocontrol system to control the GRANUDOS

Accessories/ Options

- Deliverable for drums 20-50 kg
- Drum lifter for 50 kg-drum
- Container system GR150

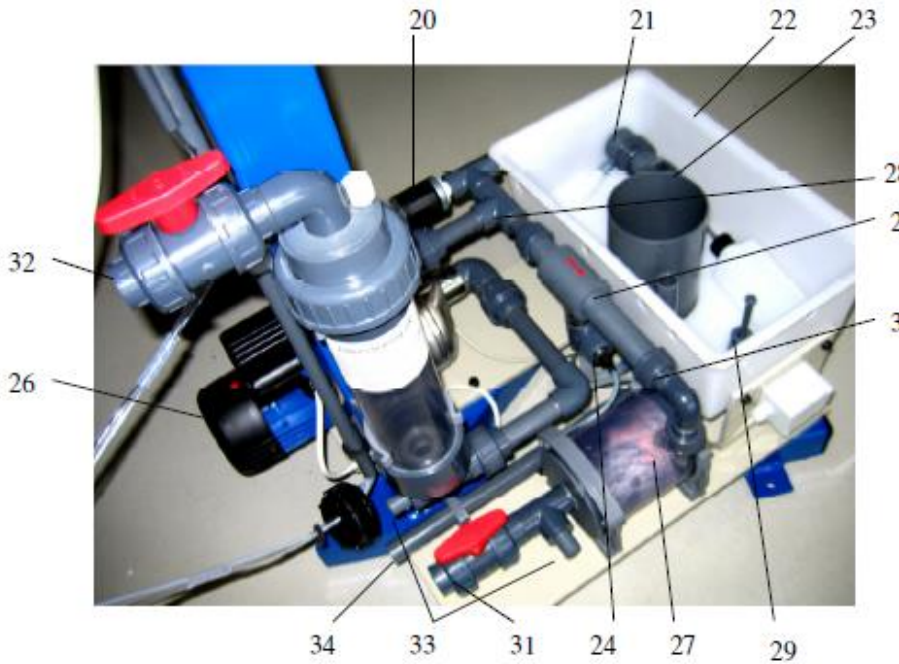


Chemical Dosing Equipment

GRANUDOS S10 & 45/100-S4 - Spares

	1	16763 23105 18599 11527	Hopper (Melclorite 25) Hopper (Melclorite 45) Hopper (HTH 25) Hopper (HTH 40)
	2	11676 11546	Granudos dosing motor PLG30-35 GR45 Granudos dosing motor PLG30-60 GR100/GB
	3	11550 11549 12320	Dosing Screw D6/D26/L120 (Melclorite 45) Dosing Screw D6/D19/L120 Dosing Screw D6/D19/L90 GR10/15 (Melclorite 25)
	4	11542 21552 11541	Dosing Motor Holder D32mm Dosing Motor Holder D32mm GR30 (Melclorite 25) Dosing Motor Holder D25mm
	5	11556	Heated Nozzle GR10/45/100
	6	11099	Heated Nozzle seal washer
	7	17978 17979 11500	Safety Belt 40kg/45kg Safety Belt HTH 25kg Clamp Belt 45/100 Melclorite 25kg
	8	10337	Chlor drum empty switch (yellow/grey)
	9	15099	Acid injector
	10	13260 13735 16344	Unodos tube set Blue Dosing tube set 0.8 (no pins) Unodos tube set with pins Blue
		12703	Acid Tube set 4.8
		13260	Acid Tube set 3.2
	11	13413	Tube assembly 3.2 x 1.6 (10)
		13414	Tube assembly 4.8 x 1.6 (45)
		13482	Tube assembly 0.8 x 0.8
	12	15809	Lowara booster pump
	13	10332-1	Calpeda booster pump
	14	17006	Floating valve assembly
	15	12730	Bobbin
	16	17557	Tank diaphragm kit
	17	11131	Flow switch tubing 10-15
		23557	Melclorite 25 Conversion kit
		23105	Melclorite 45 Conversion kit
	12		
	13		
	14		
	15		
	16		
	17		

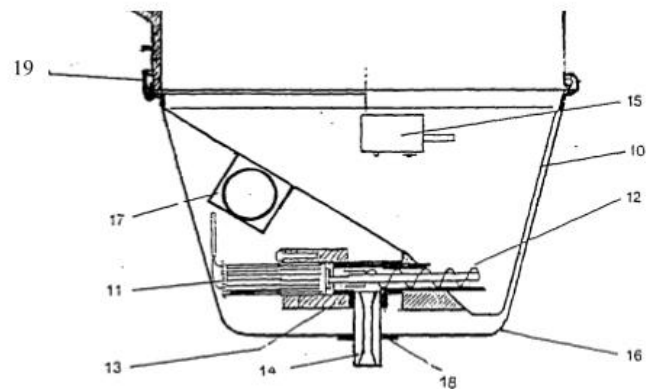
Dissolving System



- | | | | |
|----|-----------------------------------|----|-----------------------------------|
| 20 | pressure switch | 28 | allocation rinsing water |
| 21 | floating valve | 29 | level control switch |
| 22 | flushing tank | 30 | union bush with washer nozzle |
| 23 | flushing tube | 31 | outlet ball valve d25 |
| 24 | flow monitoring | 32 | supply connection d25 with filter |
| 25 | venturi nozzle | 33 | fitting to connect pressure gauge |
| 26 | circulation pump | 34 | overflow tube |
| 27 | cyclone mixing/dissolving chamber | | |



- | | | | |
|----|---|----|---|
| 7 | pressure switch | 13 | venturi nozzle |
| 8 | floating valve | 14 | orifice washer |
| 9 | booster pump Lo 2HMS3 | 15 | level switch low/high |
| 10 | flow switch holder with flow switch | 16 | lid on flushing tank with chlorine dust proof overflow to drain |
| 11 | acid dosing valve | 17 | overflow to drain |
| 12 | mixing and dissolving chamber with PVC ball valve | | |



Chemical Dosing Equipment

Injectors – Chemquill - W3T290939



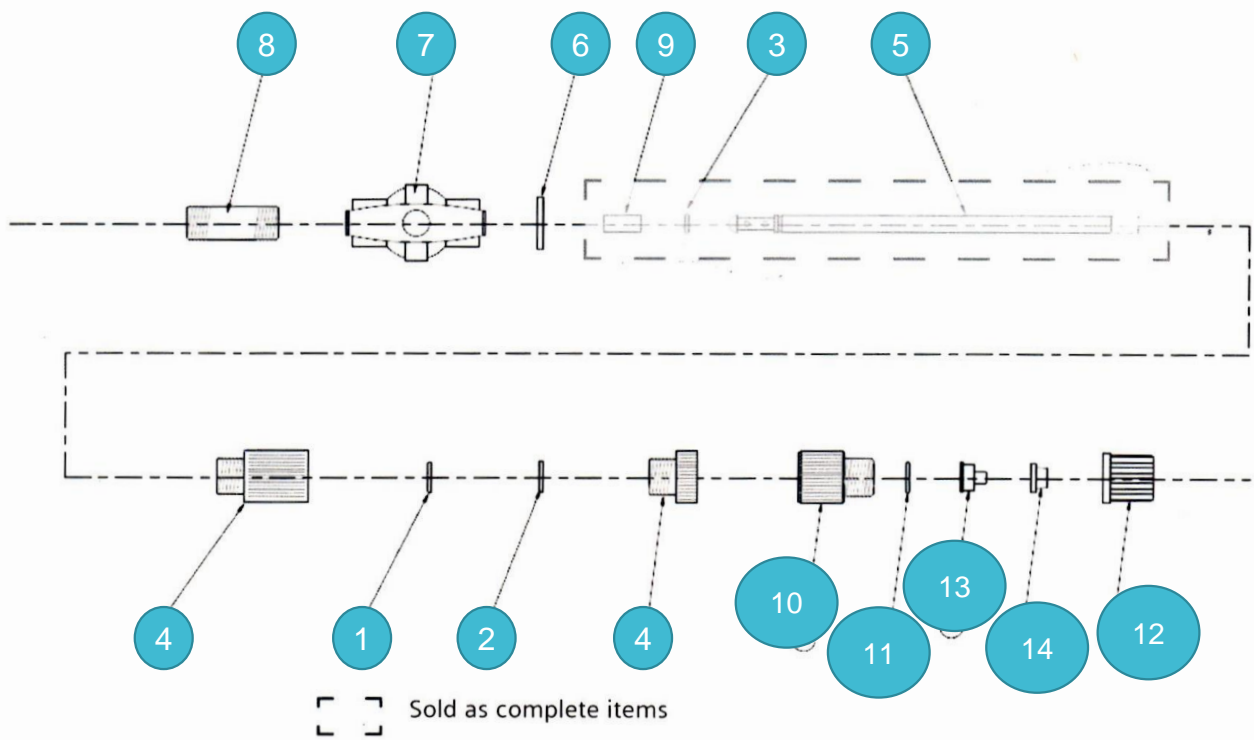
- | | | | |
|----|-----------|------------|-----------------------|
| 1 | W2T625275 | 5033 | O-ring |
| 2 | W2T625273 | 5030 | Backing Ring |
| 3 | W2T625277 | 5040 | Sol Tube End 'O' Ring |
| 4 | W2T625280 | 5043 | Locking Nut Extension |
| 5 | W2T625282 | 5044/Long | Solution Tube (300mm) |
| 5 | W2T625281 | 5044 | Solution Tube (225mm) |
| 6 | W2T624521 | 4567 | O Ring |
| 7 | W2T623900 | 2197 | ½" Ball Valve |
| 8 | W2T623895 | 2189 | ½" T/T Nipple |
| 9 | W3T290938 | 5032-A | Silicone Hose |
| 10 | W2T625284 | 5046 | Adaptor |
| 11 | W2T624469 | 4380051222 | O Ring |
| 12 | W2T632210 | 70182 | Coupling Nut |
| 12 | W2T632216 | 70193 | Sleeve (3/8") |
| 13 | W2T632215 | 70192 | Cone (3/8") |
| 14 | W2T632218 | 70195 | Sleeve (1/2") |
| 15 | W2T632217 | 70194 | Cone (1/2") |



W3T290941 5044-A Solution Tube Assembly
(items 3,9 & 5 – 225mm only)

W3T290940 5034-KIT Spares Kit
(items 1(1), 2(1), 6(1), 9(4), 3(1))

LanceKIT Silicon Hose (5) & O ring (5) pack (items 3&9)

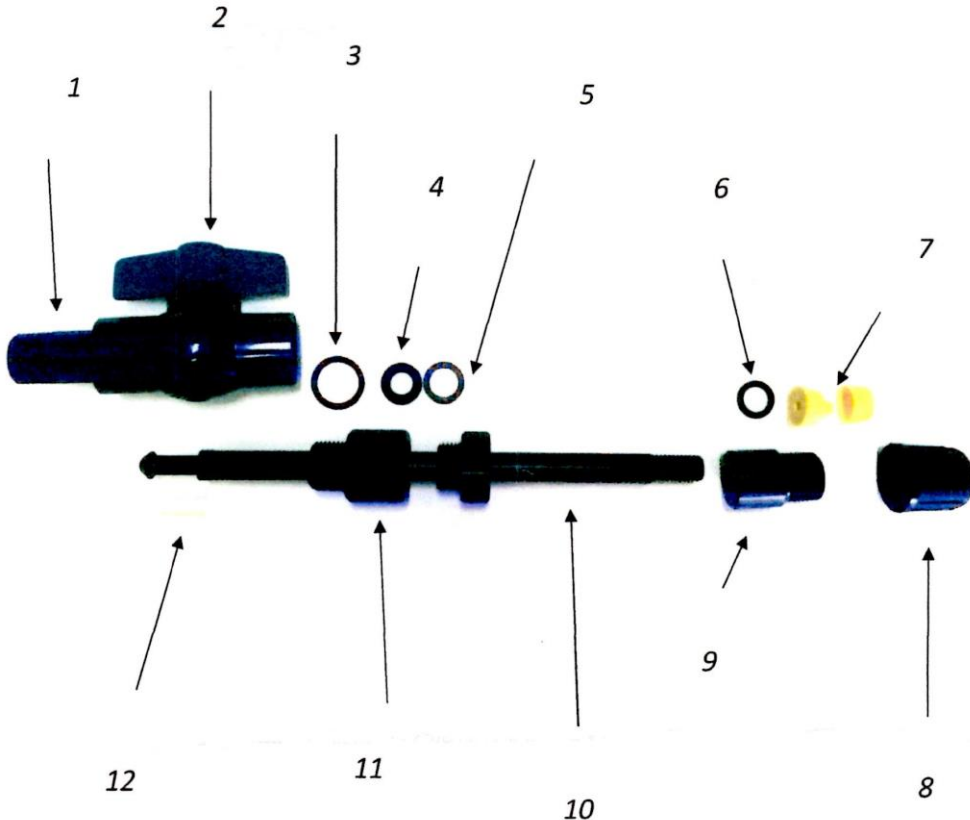




AQ00169 Aquaquill Injector Complete 1/2" & 3/8" Connectors

- 1 AQ00183 1/2" Nipple
- 2 AQ00176 1/2" Monoblock Valve
- 9 AQ00174 Hose Connector
- 10 AQ00170 Replacement Quill
- 11 AQ00172 Body Adaptor
- 12 AQ0017 Silicon Hose (pack 10)

AQ0017A 1/2 hose tail and silicone tube pack
 AQ00171 Aquaquill Service Kit (items 3,4,5,6)
 LMI007 3/8" Coupling & connector (items 7, 8)



Circulation Pumps, Filters & Heating

Circulation pumps, Filters, Filter media, Heat exchangers , Pool Covers

Circulation Pumps & Accessories

1. Aquaspeed Pumps	0.5hp (0.25kW) -> 3.0hp (2.2kW)
2. Swimflo Plus	0.5hp (0.37kW) -> 3.0hp (2.2kW)
3. Sta-Rite Pumps	0.5hp (0.30kW) -> 2.0hp (1.5kW)
4. Hydrostar Commercial Pumps	4.0hp (3.00kW) -> 7.0hp (5.32kW)
5. Calpeda	3.0hp (2.20kW) -> 15.0hp (11.0kW)
6. Hayward	0.5hp (0.55kW) -> 3.0hp (2.2kW)

Grundfos
Commercial Air Blowers 0.4kW – 1 ph ->5.5kW – 3 ph

Filters

Steel
Bobbin Wound
Multiport Valves & Accessories
Pressure Gauges
Air Release Valves
Strainer Boxes & Accessories

Filter Media

Sand (all grades)
Glass (all grades)
Diatomaceous Earth
Zeoclear

Heat Exchangers

Bowman
Calorex

Pool Covers

Manual/Electric
Reeled, Stanchioned
Winter Debris

JAK can offer repair, refurbishment and installation of pumps, mechanical seals, filters and valves.



1



2



3



4



5



6

ABS

C pipe	1 ½", 2"
90 Elbow	1 ½", 2" (10)
45 Elbow	1 ½", 2" (10)
Socket	1 ½", 2" (10)
Nipple	1 ½", 2" (10)
Socket Unions	1 ½", 2" (5)
Tee	1 ½" (5)
Hex Nipple	1 ½", 2" (10)
Unions	1 ½", 2"
Pipe Clip	1 ½", 2" (10)
End Cap	1 ½" (10)
Threaded Plug	1 ½", 2" (10)
Reducer	1 ½", 2" (10)
Hosetail	1 ½", 2" (10)



PVC (imperial/metric)

Clear PVC Pipe	½", ¾", 1", 1 ¼", 1 ½", 2", 2 ½", 3", 4", 5", 6", 8"
Grey PVC Pipe	½", ¾", 1", 1 ¼", 1 ½", 2", 2 ½", 3", 4", 5", 6", 8" – 20mm – 200mm
90 Elbow	½", ¾", 1", 1 ¼", 1 ½", 2", 2 ½", 3", 4", 5", 6", 7" - 25mm – 315mm
45 Elbow	½", ¾", 1", 1 ¼", 1 ½", 2", 2 ½", 3", 4", 5", 6", 7" - 25mm – 315mm
Barrel Nipple	½", ¾", 1", 1 ¼", 1 ½", 2", 2 ½", 3", 4"
Socket	½", ¾", 1", 1 ¼", 1 ½", 2", 2 ½", 3", 4", 5", 6", 8" - 25mm – 315mm
Socket Union	½", ¾", 1", 1 ¼", 1 ½", 2", 2 ½", 3", 4"
Reducing Socket	¾"x½", 1x¾", 1 ¼"x1", 1½"x1 ¼", 2"x1 ½" 40x25mm, 50x32mm, 63x40mm, 75x50mm, 90x63mm, 110x75mm, 125x90mm, 140x110mm, 160x125mm, 200x160mm
Reducing Bush	¾"x1½", 1x¾", 1 ¼"x1", 1½"x1¼", 2"x1½", 3"x2", 4"x3", 6"x4", 8"x6" 32x25mm, 40x32mm, 50x40mm, 63x50mm, 75x63mm, 90x75mm, 110x90mm, 125x110mm, 140x125mm, 160x140mm
Tee	½", ¾", 1", 1 ¼", 1 ½", 2", 2 ½", 3", 4", 5", 6", 8" - 25mm – 315mm
Reducing Tee	2"x1½", 2"x¾", 2"x1", 2"x1 ¼", 2"x1 ½", 3"x1½", 3"x2", 4"x2", 4"x3", 6"x4"
End Caps	½", ¾", 1", 1 ¼", 1 ½", 2", 2 ½", 3", 4", 5", 6", 8" - 25mm – 200mm
Pipe Clips	½", ¾", 1", 1 ¼", 1 ½", 2", 2 ½", 3", 4"
Double Union Ball Valve	½", ¾", 1", 1 ¼", 1 ½", 2", 2 ½", 3" – 25mm – 110mm
Double Union Check Valve	½", ¾", 1", 1 ¼", 1 ½", 2", 2 ½", 3"
Butterfly Valve	3", 4", 5", 6" – 75mm – 250mm

Tangit Adhesive 500ml

MEK Cleaner

Full range of Swimming pool paints (Unitas, Unicryl)

Commercial Chemicals

JAK Water Systems can competitively offer water treatment chemicals nationally via our Hazchem network. Standard or Next Day delivery we can offer a flexible and timely solution to customer chemical requirements.

Disinfectants

Sodium Hypochlorite pump over and 25ltr

Calcium Hypochlorite 25Kg & 45Kg drums - Melchlorite

N.X Tablets 20g

N.X Tablets 200g

N.S (70/20) Tablets 20g

70g Granules

Calcium Hypochlorite with descaler

Calcium Hypochlorite with descaler

Calcium Hypochlorite

Calcium Hypochlorite

pH Reducers

Hydrochloric Acid 28% 25ltrs

Sodium Bisulphate 25kg

Sulphuric Acid 30% 25ltrs

Flocculants

Poly Aluminium Chloride 25ltrs

Aluminium Sulphate Kibbled 25kg

Water Balancers

Sodium Bicarbonate (Alkalinity Increaser)

Sodium Carbonate (Soda Ash)

Calcium Chloride Flake (Calcium Harness Increaser)

Calcium Chloride Liquor

Sodium Thiosulphate (Chlorine Neutraliser)

Cyanuric Acid

Salt Granules / Salt Tablet



melpool

Melpool 70g	1kg ,5kg, 10kg	Calcium Hypochlorite Granules
Melpool 70/20	1kg ,5kg, 10kg	Calcium Hypochlorite Tablets
Melpool 55g	1kg, 5kg, 10kg	Stabilised fast dissolving Chlorine Granules (Dichlor)
Melpool 63g	1kg ,5kg, 10kg	Stabilised fast dissolving Chlorine Granules (Dichlor)
Melpool 50/20	1kg ,5kg, 10kg	Stabilised fast dissolving Chlorine Tablet (Dichlor)
Melpool 90/20	1kg ,5kg, 10kg	Stabilised Chlorine Tablet 20g (Trichlor)
Melpool 90/200	1kg ,5kg, 10kg	Stabilised Chlorine Tablet 200g (Trichlor)
Melpool 90/500	1kg ,5kg, 10kg	Stabilised Chlorine Tablet 500g (Trichlor)
Melpool 90g	1kg	Stabilised Chlorine Granule (Trichlor)
Melpool MF/200	1kg, 5kg	Multifunction Tablet 200g
Melpool MF/20	1kg, 5kg	Multifunction Tablet 20g
Melpool BR/20	1kg, 5kg	Bromine Tablet 20g
Melpool ICA	0.8kg, 4kg, 9kg	Isocyanuric Acid (chlorine stabiliser)
Melpool pH+	1kg ,2kg, 5kg, 10kg	pH increaser
Melpool pH -	1.5kg,2kg,7kg,15kg	pH reducer
Melpool CA+	5kg	Calcium Hardness increaser
Melpool TA+	1kg ,5kg, 10kg	Alkalinity Increaser
Melpool QAC	1ltr, 5ltr	Anti Algae
Melpool QACS	1ltr, 5ltr	Anti Algae (high concentration)
Melpool WIC	1ltr, 5ltr	Winter Anti algae
Melpool OXY	1kg, 5kg	Non-chlorine shock treatment
Melpool CAL	1ltr, 5ltr	Anti Scaling Calcium
Melpool DET	1ltr, 5ltr	Filter Cleaner
Melpool GEL	1ltr	Gel cleaner for scale and waterline
Melpool NET	1ltr, 5ltr	Multi-purpose cleaner for tiles etc
Melpool PAC	1ltr, 5ltr	Liquid Flocculant
Supercubes	2 cubes per carton	Gel Cubes Flocculant
Solufloc	8-pack	Cartouche Flocculant



Shock	1kg, 5kg, 10kg	Stabilised quick dissolving chlorine Shock
Mini	1kg, 5kg, 10kg	Stabilised 20g chlorine tablet
Long	1kg, 5kg, 10kg	Stabilised 200g chlorine tablet
Mini Quick	180 tabs per jar	Stabilised 2g quick dissolving chlorine tablet
pH +	1kg, 5kg, 10kg	pH. increaser
pH -	1.5kg, 7kg, 15kg	pH. reducer
Anti-Algae	1ltr, 5ltr	algae inhibitor/destroyer
Flock	1ltr, 5ltr	flocculant
Gel	1ltr	Gel cleaner for scale and waterline
Cleaner	1ltr, 5ltr	cleaner
Starter Kit		small pool/spa starter kit



Blue Horizons

SHTAB30048BH	4.8kg	300g Calc-Chlor Pods
SHRAP	650g (12), 2kg, 5kg	Rapid Shock
MFTAB200	2kg, 5kg, 10kg, 25kg	200g Multifunctional Chlorine Tablets
MFTAB20	1kg(6), 2.5kg, 5kg	20g Multifunctional Chlorine Tablets
CLTOPTAB5BH	5kg	250g Multifunctional Shock Top Tablet
MFDISP	20g(8), 1.5kg(6)	Multifunctional Floating Dispenser
CLTAB200	2kg, 5kg, 10kg, 25kg	200g Chlorine Tablets
CLTAB20	2.5kg, 5kg, 25kg	20g Chlorine Tablets
CLGRAN	1kg(6), 2kg(6), 5kg(4), 10kg, 25kg	Stabilised Rapid Chlorine Granules
BRTAB	5kg(4) 20g	Bromine Tablets (BCDHM)
PHMIN	750g(6), 1.5kg(6), 7kg(2), 25kg	pH Minus
PHPLUS	500g(6), 1kg(6), 5kg(4), 25kg	pH Plus
TAMINUS05BH	5ltr(2)	TA Reducer
TAPLUS	5kg, 25kg	TA Raiser
CHPLUS	5kg, 25kg	Calcium Hardness Raiser

Speciality

SPCLRED1BH	1kg (6)	Chlorine Reducer
SPMETAL01BH	1ltr (6)	Metal Klear
SPSTNHIB1BH	1ltr (6)	Stain & Scale Inhibitor
PHOSAWAY1BH	1ltr(6)	Concentrated Phos away
SPSOLAR02BH	2ltr(6)	Solar Shield
SPCOND2BH	2kg	Rapid Dissolving Chlorine Stabiliser

Algaecides

ALGULT	0.5ltr (12), 1ltr(6)	Ultimate Algicide Concentrate
ALGAE	0.5ltr(12), 1Ltr(6), 2ltr(6)	Algae Controller

Long-life_Algaecides

ALGIMAX	1ltr(6), 2ltr(6)	AlgiMAX Eliminator
ALGAESUMC02BH	2ltr(6)	Summerclear
ALGKLEENPOOL	1ltr(10)	Kleen Pool
ALGWNTR1BH	1ltr(6)	Concentrated Winter Time
ALGWNTR5BH	5ltr(4)	Ultimate Winter Time

Clarifiers

CLAULT	0.5ltr(12), 1ltr(6)	Ultimate Water Clarifier Concentrate
CLAPAC01BH	1ltr(6)	Rapid Liquid Floc
CLACUB7BH	2 x 70g(12)	JellyCLEAR Cubes
CLASOCK1BH	1kg(12)	Flockfix Cartridges
CLAFLOC2BH	2kg(6)	Granular Floc
CLATAB05BH	0.5kg(12)	Aqua Sparkle Tabs 50g

Blue Horizons cont

Cleaners

COVCLEAN5BH	5ltr(4)	Slatted CoverKleen
CPSRING5BH	5ltr(2)	Springwash
CPEKLEEN5BH	0.5ltr(12)	Easy Kleen
CPTHICKTLC02BH	2ltr(6)	Extra Thick Tile & Liner Cleaner
CPTLC02BH	2ltr(6)	Tile & Liner Cleaner
CPWCP350BH	350g(12)	Waterline Cleaning Paste
CPFILT01BH	1ltr(6)	Filter Cleaner
SPSTAIN01BH	1kg(6)	Natural Stain Remover

Gold Horizons – Spa Range

GHSCCLGRAN1	1kg(6)	Spa Chlorine Granules
GHSMFTAB201	1kg(6)	Spa Multifunctional 20g
GHSBRTAB1	1kg(6)	Spa Bromine Tablets 20g
GHSBRGRAN1	1kg(6)	Spa Bromine Granules
GHSMINIQUIK.486	486g(12)	Spa Mini Kwik Tablets

Spa Balance

GHSPHMIN15	1.5kg(6)	Spa pH Minus
GHSPHPLUS1	1kg(6)	Spa pH Plus
GHSTAPLUS1	1kg(6)	Spa T.A Plus
GHSCHPLUS1	1kg(6)	Spa Hardness Plus

Spa Specialities

GHSFILTER	0.5ltr(12)	Spa Rapid Filter Kleen (trigger spray)
GHSFOAM	0.5ltr(12)	Spa Foam Free
GHSPOLISH	0.5ltr(12)	Spa Shine 'n' Protect
GHSBIOFILM	10 x 20g(6)	Spa Biofilm Destroyer Service Pack
GHSSHOCK	500g(12)	Spa Revive
GHSCCLARIFIER1	1ltr(6)	Spa Natural Clarifier
GHSSCALE1	1ltr(6)	Spa Scale Free
GHSPIPE	1ltr(6)	Clear Spa Flush Plus
GHS PERFECT	1ltr(6)	Spa & Pool Perfect

Spa Fragrances

GHSTROPICAL.2	200ml(6)	Tropical Burst
GHSJASMIN.2	200ml(6)	Just Jasmin
GHSORANGE.2	200ml(6)	Citrus Spice
GHSSUNSET.2	200ml(6)	Sunset Breeze
GHS AQUA.2	200ml(6)	Spring Rain
GHSSERENITY.2	200ml(6)	Serenity Spa
GHSMULTI.2	200ml(6)	Multi Spa Pack (1 of each above)
GHSMINIMULTI.75	75ml(6)	Multi Spa Pack Mini (1 of each above)

Water Testing & Analysis

Lovibond

		Pk Size
511050BT	DPD 1 – Comparator and Photometer	100
511051BT	DPD 1 – Comparator and Photometer	250
511080BT	DPD 3 – Comparator and Photometer	100
511081BT	DPD 3 – Comparator and Photometer	250
511751BT	Phenol Red – Comparator	250
511770BT	Phenol Red – Photometer	100
511771BT	Phenol Red – Photometer	250
511371BT	Cyanuric Acid – CYA- Test Photometer	250
513211BT	Alka – M Photometer	250
515191BT	Calcium Hardness – Shaker Bottle	250
515321BT	Total Alkalinity – Shaker Bottle	250
517762BT	Calico – H Calcium Hardness – Photometer	250
511290BT	DPD 3 Rapid	100
511291BT	DPD 3 Rapid	250
511310BT	DPD 1 Rapid	100
511311BT	DPD 1 Rapid	250
511790BT	Phenol Red Rapid	100
511791BT	Phenol Red Rapids	250
145505	Test Tubes – Plastic 85mm	5
197629	Test Tubes – Glass 45mm	5
354243	Test Tubes – Glass 85mm	5
364120	Crush/Stirring Rods	10
380230	Cuvette Brush	1
385130	100ml Shaker Bottle	1
147026	Checkit Comparator	
151601	Pool Tester – Chlorine-pH	
194803-16	SD80 TDS Hand-Held Meter	
216100	Scuba II – Electronic Pool Tester	
278011	MD100 Photometer – 3 in 1	
278091	MD100 Photometer – 6 in 1	



		Pk Size
AP011	DPD 1 – Photometer	250
AP031/1	DPD 3 – Photometer	250
AP130	Phenol Red – Photometer	250
AK011	DPD1 – Comparator	250
AK031/1	DPD3 – Comparator	250
AK131	Phenol Red – Comparator	250
AP087	Cyanuric Acid – Photometer	250
AP188	Alkaphot – Alkalinity Tablets – Photometer	250
AP252	Calcicol – Calcium Hardness – Photometer	250
AT010	DPD1 Rapid	250
AT030	DPD3 Rapid	250
AT130	Phenol Red Rapid	250
AD1016	Yes/No – Calcium Hardness (bottle) – Shaker Bottle	250
AS072	Total Alkalinity (bottle) – Shaker Bottle	250
AS077	Calcium Hardness (bottle)– Shaker Bottle	250
AT010	DPD1 Rapid	250
AT030	DPD3 Rapid	250
AT130	Phenol Red Rapid	250
PT502	Crush/Stirring Rods	10
PT512	100ml Shaker Bottle	1
PT524/5	Test Tubes – Plastic 77mm	5
PT555/5	Test Tubes – Glass 45 mm	5
PT595/5	Test Tubes – Glass 77mm	5
PT663	Cuvette Brush	1
PT153T	TDS Pocket Sensor	
SPS003D	Pool Test 3 – Photometer	
SPS006D	Pool Test 6 – Photometer	
SPH7009E	Pool Test 9 – Photometer	



Circulation Testing & Pool Colouring

Aqua Couleur



Aqua Couleur is a temporary water colourant; it does not affect the balance, transparency or quality of your pool water.

It is totally hypoallergenic and will not cause ill health if accidentally swallowed in its diluted form.

This product has been vigorously tested in collaboration with the pharmaceutical department of the French National Research Centre.

The Colours top to bottom are :-

- Aqualloween
- Deep Ocean
- Fuchsia
- Lagoon
- Mango
- Lavender
- Turquoise.



Magic colouration of water for multiple uses :-

- Private swimming pools
- Public swimming pools
- Circulation testing
- Aquariums
- Fountains and waterfalls
- Spas
- Film and promotional media
- Theme parks



Award winning world innovation

Coloured water remains fully transparent

No staining

Allows for normal reading of water analysis



Champagne



1 Construction of Contract. These conditions shall apply to all Contracts between JAK Water Systems Ltd (hereinafter referred to as "the Company") and any persons, firm or Company (hereinafter called "the Customer") for the supply of goods or the carrying out of work by the Company. The Company Contracts upon the terms of these conditions only, and any other standard Terms emanating from the Customer shall not apply. These Conditions shall not be modified without the written agreement of the Company, and in order that the contract shall be complete of the agreement between parties with regard to the supply of goods or the carrying out of the work by the Company, the Customer must ensure that any representation or instruction on which it wishes to rely has been accepted by the Company in writing. Any typographical, clerical error or omission in any sales literature, quotation, price list, acceptance of offer, invoices or other document or information issued by the Company shall be subject to correction without liability on the part of the Company.

2. Price Variation Estimates are based on the Company's current costs of production and unless otherwise agreed are subject to amendment on or at any time after acceptance to meet any such rise or fall in costs. The Company's statements that its costs have risen or fallen in such circumstances shall be inclusive as to the existence of such a rise or fall. Contract price shall be the price quoted by the Company.

3. Tax. All estimates and quotations are, unless specifically otherwise provided, are exclusive of value added tax and any other statutory charges as may be appropriate.

4. Delivery

I. Any time for performance of the Company's obligations under the Contract shall be reckoned from the date upon which the Company receives all the necessary information and documentation to enable it to proceed with the supply of goods or the carrying out of work without interruption.

II. Any date for delivery specified in respect of goods sold or to be sold by the Company shall be treated as an estimate only and such delivery is not a term of the Contract and is specifically hereby agreed that time for delivery is not of an essence. The Company shall not in any circumstances however so arising, whether as a result of its own negligence or otherwise, be under any liability to the Customer for any failure to deliver by or on such date.

III. Any delivery time specified shall be extended by any period or periods during which the manufacturer or delivery of goods or other work by the Company in connection with the Contract is delayed due to fire, explosion, flood, storm, tempest sabotage, strikes, official and unofficial riot, Invasion, acts of war (whether war be declared or not), shortage of labour, power or materials, delayed by the Company's suppliers, civil commotion, accidents, plant breakdown, technical difficulty, seizure, or any other action by or in compliance with an Order of an apparently competent authority and any other event or circumstances beyond the control of the Company. Notwithstanding such delays the Customer shall take and pay for at the rate of Contract Price such of the goods as shall be tendered by the Company and be ready for delivery.

IV. If for any reason the Customer is unable to accept delivery of good at the time when the goods are due and ready for delivery JAK Water Systems Ltd shall, if its storage facilities permit, store the goods and the customer shall be liable to JAK Water Systems Ltd for the reasonable cost (including insurance) of its so doing. This provision shall be without prejudice to any other claim, which JAK Water Systems Ltd may have in respect of the Customers failure to take delivery at the appropriate date.

5. Property and Risk

I. The risk in the goods shall pass to the Customer upon delivery in accordance with the Contract.

II. Until the Company has paid in full for the supply of goods and the carrying out of work under the Contract.

a) The property of the goods shall remain vested in the Company and the Customer shall hold the goods as bailee only. The Customer shall not sell the goods nor shall the Customer part with possession of the goods unless in the latter event the Company express consent in any particular case and if such consent is given, the Customer shall expressly inform the person in to whose possession the goods are put that ownership thereof remains vested in the Company and that the possessor is to be the subject to the like rights in relation to the goods as the Customer.

b) The Company shall be entitled to recover possession of the goods at any reasonable time and shall be permitted access to the Customer's premises for such purposes.

c) The Company shall be entitled to require goods to be stored separately or clearly marked so as to identify them as the Customers property. The bailment of the goods to the Customer shall create a fiduciary relationship between the Company and the Customer. If in contravention of the prohibition upon selling goods the Customer effects a sale the Customer shall account to the Company for the entire sale proceeds as fairly represented by the goods or if higher proportion of the sale proceeds equal to the value of the goods as invoiced to the Customer by the Company, including any interest due accrued. The monies so becoming payable to the Company shall not be mixed with the Customer's own monies but shall be placed in a separate account and forthwith remitted to the Company.

d) Provided that the Company has not previously repossessed the goods the property in the goods shall pass to the customer upon payment for the goods in full including any interest accrued due.

6. Payment The Contract price is to be paid within 30 days of the delivery date. Payment shall be made to the Company and the Company's official receipt shall be the only acknowledged discharge of the debt. The Customer shall not be entitled to withhold payment due to the Company by reason of payment credit, set off counterclaim allegation of incorrect or defective goods or work for whatsoever reason, which the Customer may allege, excuses it from performing its obligations under the Contract. Interest shall accrue on any amount as remains outstanding after the period of thirty days at the rate of 1.5 percent, per month calculated from day to day. The Company shall be entitled to Charge and be paid for any increase cost incurred for expedited delivery or any other matter requested by the customer.

7. The Company's liability The Company's liability whether for any representation, or under any implied warranty, condition or other term, or any duty at common law, or under the express terms of a contract shall be limited to the Contract price for the particular goods in respect of which the liability arises in no circumstances whatsoever shall the Company be liable in damages to the Customer for any loss of profit, consequential loss of anticipated savings or profits or damage or loss of anticipated profits of any Third Party claimed against the Customer.

II. The Company shall be entitled, without any liability of whatsoever nature, to cancel any Contract with the Customer at any time should the Company not be able to obtain a Credit Reference in respect of the Customer which in the opinion of the Company, in its sole absolute and unfettered discretion it regards as an acceptable credit reference. Following such cancellation the Company shall be entitled to payment for all works carried out by the Company to the date of such cancellation and if such works only comprise a part of the Contract then a proportionate part of the Contract price reflects their worth.

III. Subject to the Conditions set out herein the Company warrants that the goods supplied will correspond with their specification at the time of delivery and will be free from defects in material and workmanship for a period of six months from the date of their delivery. In the event of a valid claim arising within the said time limit, the Company's liability shall be limited to either repairing or replacing at its own option such faulty goods, provided that the said goods are returned to its own premises, and the Company's liability shall be satisfied by making available for collection the duly repaired and/or replaced goods from its factory. Alternatively the Company shall have no further liability to the Customer. Where goods are sold under a consumer transaction, the statutory rights of the Customer are not affected by these Conditions.

IV. The Company shall not be liable for any warranties if:

a) The goods supplied have been repaired or modified by anyone other than an authorised Company repair person or

b) The goods supplied have been subjected, in the sole judgment of the Company to misuse or accident or

c) The Customer fails to notify the Company within seven days of date of delivery or

d) The Customer fails to return the defective product, freight pre-paid to the Company's facilities or

e) The goods, in the sole judgment of the Company are not actually defective.

8. Cancellation If

a) The Customer is in breach of any of the conditions of the sale of the Company or

b) The Customer being a company makes or attempts to make voluntary arrangement under Part 1 Insolvency Act 1986 (the Act) or is likely or liable to become unable to pay any one of its debts or is or becomes the subject of an application to the court for an administration under Part II of the Act or

c) The Customer being an individual appears to be unable to pay or to have any reasonable prospect of being able to pay anyone of his/her debts or is or becomes the subject of Bankruptcy Petition under Part IX of the Act or is the subject of a Statutory Demand for any of his/her debts under Part IX of the Act or if execution or other process is issued in respect of any of his/her debts on a judgment or Order of any Court Then in such an event

I. The Company shall be entitled forthwith to determine the Contract in whole or in part and

II. All costs expenses overheads and loss of profits incurred by the Company in connection with the Contract shall forthwith become payable as a debt from the Customer to the Company and

III. Any goods of the Company kept by the Customer shall forthwith be delivered up to the Company to its nominee who shall be given access to the goods in order to remove the same and

IV. The price of any goods delivered by the Company to and used by the Customer shall become payable forthwith and

V. Cancellation of Orders by the Customer in whole or in part cannot be accepted without the Company's consent in writing

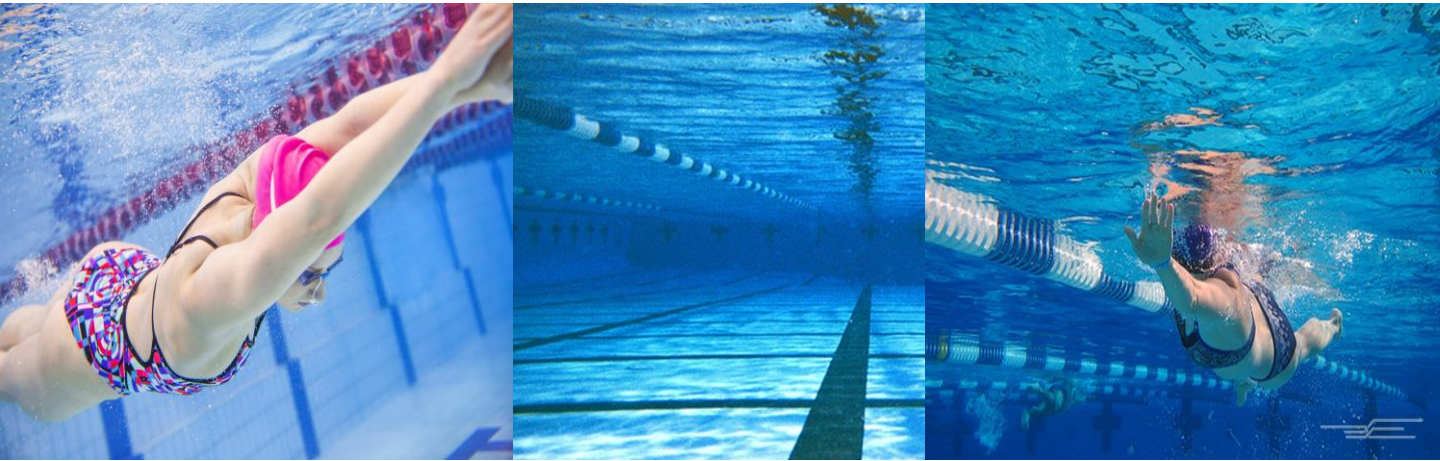
9. Returns Goods supplied by the Company may be returned within 14 days provided items are unused and not damaged.

10. General Lien without prejudice to other remedies, the Company shall in respect of all unpaid debts due from the Customer have a general lien on all goods and property in its possession (whether worked on or not) shall be entitled on the expiration of 14 days notice to the Customer to dispose of such goods or property as it thinks fit and to apply any proceeds towards such debts.

11. Intellectual Property Where the contract between the Company and the Customer for the supply of goods or the carrying out of work by the Company involve the design or invention of specialised equipment then all drawing designs and copyright and similar protection therein arising out of the work of the Contract shall belong to the Company.

12. Law The proper Law of Contract shall be English Law and any disputes arising there under shall be dealt with exclusively by the Courts of England save that the Company shall be entitled to bring proceeding against the Customer in the courts of any other jurisdiction where the Customer resides or carries on business.

13. Privacy Policy We do not store credit card detail nor do we share customer details with any 3rd parties.



JAK Water Systems Ltd
9A Tything Road East
Kinwarton
Alcester
Warwickshire
B49 6ES
01789 333313